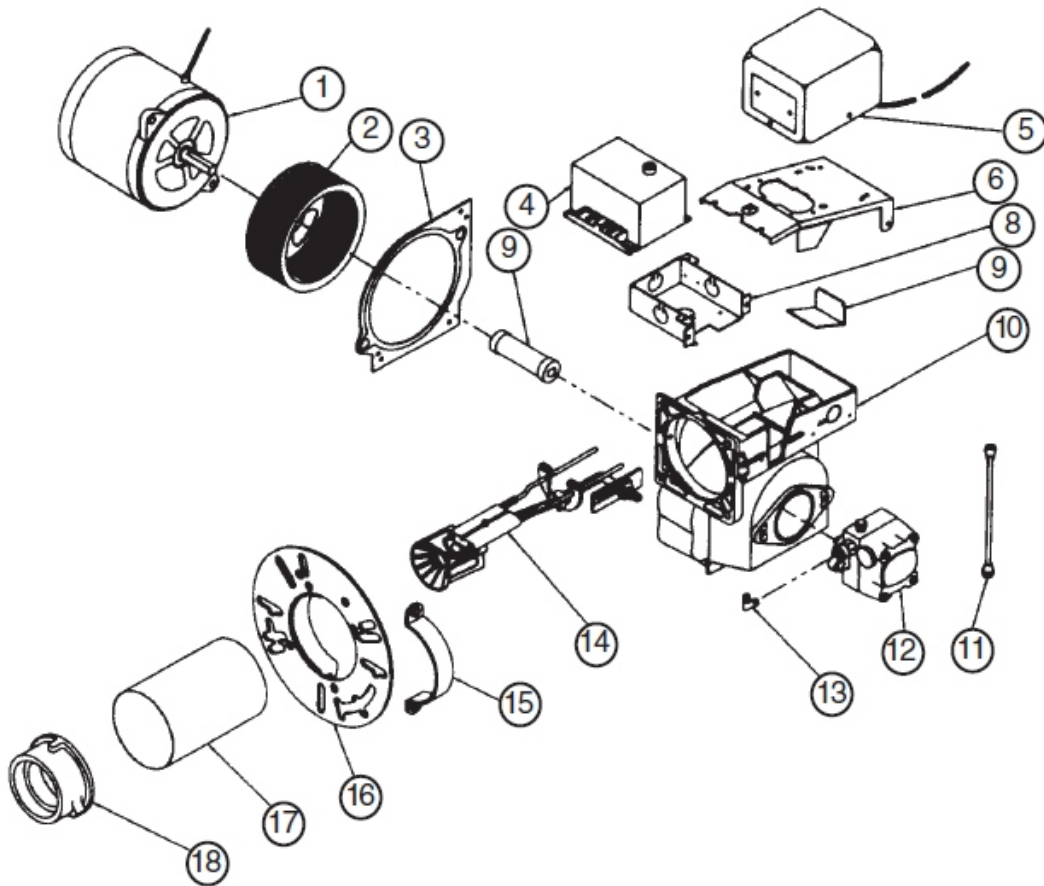


BURNER COMPONENTS - MODEL HS



STATE SPECIFICATION NUMBER, BURNER MODEL, PART DESCRIPTION AND PART NUMBER WHEN ORDERING PARTS

NO. DESCRIPTION

PART NO

1	Motor-1/7HP	20627
2	Blower Wheel	21642
3	Motor Side Plate	21658
4	Relay	101266-003
5	Transformer	21659-002
6	Housing Cover	21680
7	Baffle, Static-65 DEG.	63266-006
	Baffle, Static-30 DEG.	63266-013
8	J-Box	21319
9	Coupling	100386
10	Housing	30926-030
11	Oil Line ASM 6"	14451
12	Fuel Unit Type A Suntec	13495
	Fuel Unit Danfoss 1 Stage	100714-001
	Fuel Unit Type B Suntec	13634

NO. DESCRIPTION

PART NO

13	Elbow	13494
14	Gun ASM 6"	100926-013
	Gun ASM 9"	100926-025
	Gun ASM 12"	100926-037
	Gun ASM 15"	100926-049
	Gun ASM 18"	100926-061
15 - 16	Adjustable Flange (Incl. Gasket)	21724-011
17	Air Tube 6"	21886-013
	Air Tube 9"	21886-025
	Air Tube 12"	21886-037
	Air Tube 15"	21886-049
	Air Tube 18"	21886-061
18	Air Cone 0.50 - 2.50	100420
	Air Cone 2.50 - 3.00	100531-001

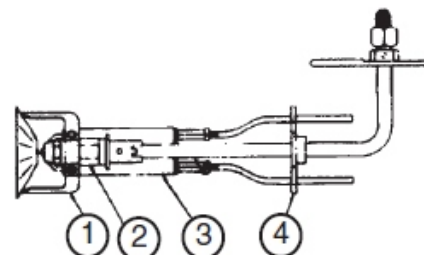
NO. DESCRIPTION

PART NO

1	Flamelock ASM 10 Vane	100393-SER
2	Nozzle Adapter	12362
3	Electrode ASM - All Units*	100989-061
4	Buss Bar Support	13276-002

*Cut contact rods to length in field.

GUN ASSEMBLY DETAILS MODEL HS



NOTE: BACKSIDE OF FLAMELOCK TO NOZZLE FACE.

