

# WARD HEATING PRODUCTS

2018 CATALOGUE

## Oil Burners



# 5 OIL BURNERS

## Riello Oil Burners



### Riello 40 Series Residential Oil Burner

Quality engineered to our proven world-class standard, Riello 40-Series oil-fired burners are built for maximum uptime. Riello 40-Series high-efficiency oil burners not only deliver low energy consumption and quiet, worry-free performance, they're the most reliable combustion technology on the market.

Order No.	Description	GPH	Combustion Head Part#	Chassis Part#
RB F3 Short	Riello F3 Oil Burner with 6 1/2" tube	0.50 - 0.95	3948873	3726121
RB F3 Long	Riello F3 Oil Burner with 10 1/2" tube	0.50 - 0.95	3978874	3726121
RB F5 Short	Riello F5 Oil Burner with 6 1/2" tube	0.75 - 1.50	3948973	3726221
RB F5 Long	Riello F5 Oil Burner with 10 1/2" tube	0.75 - 1.50	3948974	3726221
RB F10 Short	Riello F10 Oil Burner with 5 1/2" tube	1.45 - 3.20	3949071	3726313
RB F10 Long	Riello F10 Oil Burner with 10 1/2" tube	1.45 - 3.20	3949072	3726313
RB F15 Short	Riello F15 Oil Burner with 5 1/2" tube	2.55 - 5.75	3949171	3726413
RB F15 Long	Riello F15 Oil Burner with 10 1/2" tube	2.55 - 5.75	3949172	3726413
RB F20 Short	Riello F20 Oil Burner with 5 1/2" tube	3.50 - 6.40	3949271	3726512
RB F20 Long	Riello F20 Oil Burner with 10 1/2" tube	3.50 - 6.40	3949272	3726512
RB BF3 Short	Riello BF3 Oil Burner with 6 1/2" tube	0.50 - 0.95	3948873	C8511399
RB BF3 Long	Riello BF3 Oil Burner with 10 1/2" tube	0.50 - 0.95	3948874	C8511399
RB BF5 Short	Riello BF5 Oil Burner with 6 1/2" tube	0.75 - 1.50	3948973	C8512399
RB BF5 Long	Riello BF5 Oil Burner with 10 1/2" tube	0.75 - 1.50	3948974	C8512399

\*These Riello Burners not for use on Biasi Boilers

## Specifications for Riello 40 Series Oil Burners

Specifications	Riello F3	Riello F5	Riello F10	Riello F15	Riello F20	Riello BF3
Firing Rate US GPH	0.50 - 0.95	0.75-1.50	1.45-3.20	2.55-5.75	3.50-6.40	0.50-0.95
Effective Output btu/hr	70,000	105,000	203,000	357,000	490,000	70,000
	To	To	To	To	To	To
	133,000	210,000	448,000	805,000	896,000	133,000
Power Consumption	115 Watts	175 Watts	230 Watts	450 Watts	465 Watts	115 Watts
Motor Current Load	1.60 Amp	1.70 Amp	2.20 Amp	4.00 Amp	4.30 Amp	1.60 Amp
Motor RPM (rated)	3250	3250	3250	3250	3250	3250
Max. Pump Pressure	200 psi	200 psi	200 psi	200 psi	200 psi	200 psi

## Combustion Heads for Riello 40 Series Oil Burners

Order No.	Description	Applicable Model
RB 3948873	Short Air Tube Assembly 6 1/2" (Insertion Depth)	F3 & BF3
RB 3948874	Long Air Tube Assembly 10 1/2" (Insertion Depth)	F3 & BF3
RB 3948973	Short Air Tube Assembly 6 1/2" (Insertion Depth)	F5 & BF5
RB 3948974	Long Air Tube Assembly 10 1/2" (Insertion Depth)	F5 & BF5
RB 3949071	Short Air Tube Assembly 5 1/2" (Insertion Depth)	F10
RB 3949072	Long Air Tube Assembly 10 1/2" (Insertion Depth)	F10
RB 3949171	Short Air Tube Assembly 5 1/2" (Insertion Depth)	F15
RB 3949172	Long Air Tube Assembly 10 1/2" (Insertion Depth)	F15
RB 3949271	Short Air Tube Assembly 5 1/2" (Insertion Depth)	F20
RB 3949272	Long Air Tube Assembly 10 1/2" (Insertion Depth)	F20

Order No.	Description	F3	F5	F10	F15	F20	BF3	BF5
RB C7001001	Emergency Service Kit with Motor	X	X	X				
RB C7001002	Emergency Service Kit less Motor	X	X	X			X	X
RB C7001005	Emergency Service Kit 120v F15				X			
RB C7001007	Emergency Service Kit F20					X		
RB C7001010	New Pump Kit	X	X	X	X		X	X
RB C7001011	Pump F20					X		
RB C7001012	By-Pass Plug BF, R35 & 40 (New Pump)	X	X	X	X	X		
RB C7001013	Bag of Fittings STD (F3-F10, M3-M10)	X	X	X			X	X
RB C7001014	Bag of Fittings (F15)				X			
RB C7001015	Bag of Fittings (F20)					X		
RB C7001018	Capillary Port Plug	X	X	X	X	X	X	X
RB C7001019	Semi-Flange Kit For F3-10 M3-10	X	X	X			X	X
RB C7001020	Semi-Flange Kit For F15-200 M15-200				X	X		
RB C7001021	Hardware For Pedestal	X	X	X	X	X	X	X
RB C7001022	Mounting Pedestal and Hardware	X	X	X	X	X	X	X
RB C7001029	Primary Control 530 SE (3001157)	X	X	X	X	X	X	X
RB C7001031	Fan (Blower Wheel) (3005708)	X	X				X	X
RB C7001033	Amulet Kit	X	X				X	X
RB C7001034	Motor (RB 3005843)	X	X	X			X	X
RB C7001038	BF ¼ NPTM to NPTF Oil Line Adapter Kit						X	X
RB C7001071	Pressure Gauge Adapter Kit	X	X	X	X	X	X	X
RB C7001081	Electronic Air Shutter Retrofit Kit	X						
RB C7001082	Electronic Air Shutter Retrofit Kit		X					
RB C7030001	Oil Filter Complete	X	X	X	X	X	X	X
RB C7030003	Oil Filter Screen	X	X	X	X	X	X	X
RB C7030006	Oil Filter Cover O-Ring	X	X	X	X	X	X	X
RB C7030007	Oil Filter Upper Gasket	X	X	X	X	X	X	X
RB C7030010	Oil Filter Lower Gasket	X	X	X	X	X	X	X
RB C7050010	Vacuum & Pressure Tester Manifold T20	X	X	X	X	X	X	X
RB 3002761	Ducted Air Connector Kit	X	X	X				
RB 3002762	Ducted Air Connector Kit				X	X		
RB 2001004	530SE/c Primary Control-24V TT Connector	X	X	X	X	X	X	X
RB C7010002	O-Ring Pump Cover	X	X				X	X
RB 3000443	Pump Drive Key	X	X	X	X	X	X	X
RB 3000645	Hydraulic Air Shutter					X		
RB 3000681	Manual Air Gate Rod BF						X	X
RB 3000932	Adjustable Steel Flange	X	X				X	X
RB 3002278	Primary Control Sub-base	X	X	X	X	X	X	X
RB 3002279	Coil R40	X	X	X	X	X	X	X
RB 3002280	Photo Cell	X	X	X	X	X	X	X
RB 3002863	Electric Air Shutter Motor Only	X	X	X	X			
RB 3005719	Pump Screen	X	X	X	X	X	X	X

# 5 OIL BURNERS

## Riello Oil Burner Replacement Parts

Order No.	Description	F3	F5	F10	F15	F20	BF3	BF5
RB 3005771	Banjo Spindle Stem Core Adapter					X		
RB 3005788	Fan F10			X				
RB 3005799	Fan F15-20				X	X		
RB 3005801	Gasket for F20 Hydraulic Delay Device					X		
RB 3005803	Banjo Union-tee Pressure Port Fitting					X		
RB 3005804	Banjo Core Adapter - Return - F20, M20					X		
RB 3005805	Banjo Fitting - Return					X		
RB 3005808	Oil Return Tube					X		
RB 3005809	Oil Pressure Tube					X		
RB 20087023	Capacitor for F3-F10	X	X	X			X	X
RB 20087024	Capacitor for F15-F20				X	X		
RB 3005845	Motor				X	X		
RB 3005847	1/4" NPT/Metric Adapter	X	X	X	X	X		
RB 3005849	Semi-Flange				X	X		
RB 3005851	Universal Mounting Flange				X	X		
RB 3005852	Mounting Gasket				X	X		
RB 3005854	Semi-Flange	X	X	X				
RB 3005855	Universal Mounting Flange	X	X	X				
RB 3005856	Mounting Gasket 102mm Centre Hole	X	X	X			X	X
RB 3005857	Nozzle Oil Tube Extn.					X		
RB 3005858	Union-Nozzle Tube/Extension					X		
RB 3005867	Regulator Assembly - Long						X	
RB 3005869	Electrode Porcelain	X	X	X	X	X	X	X
RB 3005870	Electrode Assembly - Long	X					X	
RB 3005878	Regulator Assembly Long		X					X
RB 3005880	Electrode Assembly Long 10"		X					
RB 3005888	Regulator Assembly Short			X				
RB 3005889	Regulator Assembly Long			X				
RB 3005890	Electrode Assembly Short			X				
RB 3005891	Electrode Assembly Long			X				
RB 3005892	Air Tube - Short 5" F15-20, M15-20				X	X		
RB 3005893	Air Tube - Long 10" F15-20, M15-20				X	X		
RB 3005894	End Cone - Short & Long M20, F20					X		
RB 3005895	End Cone - Short & Long				X			
RB 3005896	Cross Casting				X	X		
RB 3005897	Turbulator Disc F15-20, M15-20				X	X		
RB 3005900	Regulator Assembly - Short				X	X		
RB 3005901	Regulator Assembly - Long				X	X		
RB 3005902	Electrode Assembly 5"				X	X		
RB 3005903	Electrode Assembly - Long				X	X		
RB 3006323	Regulator Assembly 6" - Short F5, M5		X					X
RB 3006324	Regulator Assembly 6"	X					X	
RB 3006329	Electrode Assembly 6"		X					X
RB 3006330	Electrode Assembly 6"	X					X	
RB 3006499	Hydraulic Jack F20, M3-20 Nitril					X		

## Riello Oil Burner Replacement Parts

Order No.	Description	F3	F5	F10	F15	F20	BF3	BF5
RB 3006500	Hi-fire Delay Valve					X		
RB 3006553	Coil U-bracket and retainer nut	X	X	X	X	X	X	X
RB 3006571	3/8" NPT/Metric Adapter-male	X	X	X	X	X		
RB 3006925	Valve Stem F3-20, M3-20	X	X	X	X	X	X	X
RB 3006965	Nozzle Adapter F3-20	X	X	X	X	X	X	X
RB 3006966	Electrode Support F3-10	X	X	X			X	X
RB 3006968	Turbulator Disc F3	X						
RB 3006970	Nozzle Oil Tube-long 10"	X					X	
RB 3006973	Nozzle Oil Tube-short 6" F3-5	X	X				X	X
RB 3006974	Nozzle Oil Tube 10"		X					X
RB 3006977	Turbulator Disc F5		X					X
RB 3006978	Turbulator Disc F10			X				
RB 3006979	F10 Nozzle oil Tube 5" Combustion Head			X				
RB 3006980	Nozzle Oil Tube 10"			X				
RB 3006981	Air Tube - F10 Short 5"			X				
RB 3006982	Air Tube - Long 10"			X				
RB 3006983	End Cone Adapter F10			X				
RB 3006984	End Cone F10			X				
RB 3006985	F15 Nozzle Oil Tube 5" Combustion				X			
RB 3006986	Nozzle Oil Tube - Long 10" F15				X			
RB 3006987	Nozzle Oil Tube - Short 5" F20					X		
RB 3006988	Nozzle Oil Tube - Long					X		
RB 3006992	Pipe Connector - Supply	X	X	X				
RB 3006993	Pipe Connector - Return F3-10	X	X	X				
RB 3006994	Pipe Connector - F15 (2 Req'd) & F20 Supply				X	X		
RB 3006995	Pipe Connector - Return F20					X		
RB 3007028	O-Ring for Pres. Adj. Screw (pkg of 10)	X	X	X	X	X	X	X
RB 3007029	O-Ring Valve Stem	X	X	X	X	X	X	X
RB 3007077	Crushable Metal Washer (pkg of 10)	X	X	X	X	X	X	X
RB 3007079	Crushable Metal Washer (pkg of 10)					X		
RB 3007087	Crushable Metal Washer (pkg of 10)	X	X	X	X		X	X
RB 3007156	O-Ring - F20 Delay ByPass/Valve Stem Lower	X	X	X	X	X	X	X
RB 3007162	O-Ring for Pump Cover (pkg of 10)			X	X	X		
RB 3007202	Regulator Screw	X	X	X	X	X	X	X
RB 3007203	Plate F3-20, M3-20	X	X	X	X	X	X	X
RB 3007204	Manual Air Shutter F3-5, G120-200	X	X					
RB 3007205	Manual Air Shutter			X				
RB 3007206	Manual Air Shutter/Damper Motors F15				X			
RB 3062504	Air Intake Housing F3, G120	X					X	
RB 3007208	Air Intake Housing F5, G200		X					X
RB 3007209	Air Intake Housing F10 G400			X				
RB 3007211	Air Intake Housing F15-20				X	X		
RB 3007221	Chassis Front Plate F3, G120	X						
RB 3007222	Chassis Front Plate F5, G200		X					
RB 3007223	Chassis Front Plate F10, G400			X				

## 5

## OIL BURNERS

## Riello Oil Burner Replacement Parts

Order No.	Description	F3	F5	F10	F15	F20	BF3	BF5
RB 3007224	Chassis Front Plate F15, F20				X	X		
RB 3007581	Nozzle Outlet Fitting	X	X	X	X		X	X
RB 3007315	Air Tube Cover Plate - F3 (3062503)	X					X	
RB 3007316	Air Tube Cover Plate - F5 (3062520)		X					X
RB 3007317	Air Tube Cover Plate F10			X				
RB 3007318	Air Tube Cover Plate F15-20				X	X		
RB 3007319	Acoustic Liner - F3 Without Electric Damper	X						
RB 3007320	Acoustic Liner - F5, M5		X					
RB 3007357	Acoustic Liner - F10			X				
RB 3007358	Acoustic Liner F15-20				X	X		
RB 3007568	Bleeder Fitting R35 40 Series	X	X	X	X	X	X	X
RB 3007592	Air Tube-short 6"	X					X	
RB 3007593	Air Tube-long 10"	X					X	
RB 3007594	Air Tube-short 6"		X					X
RB 3007595	Air Tube-long"		X					X
RB 3007627	BF Cover Reset Plug						X	X
RB 3007630	Gasket BF Burner Cover						X	X
RB 3007901	Aluminum Plug - 1/4" Thread						X	X
RB 3008019	BF3 Burner Cover						X	
RB 3008020	Oil Supply Tube & Adapter Fitting						X	
RB 3008021	BF Air Damper						X	X
RB 3008023	BF5 Burner Cover							X
RB 3008024	Oil Supply Tube & Adapter Fitting							X
RB 3008050	Capillary Tube					X		
RB 3008078	Back Plate						X	
RB 3008079	Back Plate							X
RB 3008623	Air Tube Only 3"	X						
RB 3008625	Air Tube Only 8 7/8"		X					
RB 3008626	Air Tube Only 3"		X					X
RB 3008627	Nozzle Oil Tube 8 7/8"	X					X	
RB 3008628	Nozzle Oil Tube 3"		X					X
RB 3008629	Nozzle Oil Tube 3"		X					X
RB 3008630	Electrode Assemble 3"	X					X	
RB 3008631	Electrode Assemble 3"		X					X
RB 3008632	Electrode Assemble 8 7/8"		X					X
RB 3008633	Regulator Assemble 3"	X					X	
RB 3008634	Regulator Assemble 3"		X					X
RB 3008635	Regulator Assembly 8 7/8"		X					X
RB 3008788	Air Tube Only 8 7/8"	X					X	
RB 3008789	Electrode Assembly 8 7/8"	X					X	
RB 3008790	Nozzle Oil Tube 8 7/8"	X					X	
RB 3008825	BF Drainage Fliter							
RB 3008846R	Regulator Assemble 8 7/8"	X					X	
RB 3020506R	Burner Back Cover	X						
RB 3020508R	Burner Back Cover		X					
RB 3020509R	Burner Back Cover (Red)			X				
RB 3020510	Burner Back Cover				X	X		

### Carlin EZ-1 Series Oil Burner



Unit Pictured with Oil Burner Cover Kit (Not Included)

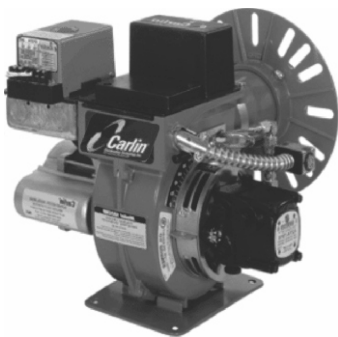
- EZ-1 Firing Range:**  
0.50 to 1.65 GPH
- EZ-2 Firing Range:**  
1.50 to 2.25 GPH
- EZ-3 Firing Range:**  
2.00 to 2.60 GPH

The Carlin EZ oil burner delivers advanced technology while remaining easy. It is the only factory calibrated residential oil burner. It installs faster, burns cleaner and lasts longer! The head design reduces noise complaints and service calls. It also comes as a "Burner In A Box".

Order No.	Description
<b>"B" Package = Carlin 40200 Interrupted Duty Control</b>	
96876-05B	Above Package with 5" Air Tube & Flange & Gasket
96876-07B	Above Package with 7" Air Tube & Flange & Gasket
96876-09B	Above Package with 9" Air Tube & Flange & Gasket
<b>Burner Chassis only, Choose Correct Air Tube and Flange/Gasket</b>	
84801	EZ-2, Carlin 48245 Intermittent Duty Control, 41000 Ignitor, Cad Cell, 1 Stage Pump
8480100B	EZ-2, Carlin 40200 Interrupted Duty Control, 41000 Ignitor, Cad Cell, 1 Stage Pump
86401	EZ-3, Carlin 48245 Intermittent Duty Control, Ignitor, Cad Cell, 1 Stage Pump
8640100B	EZ-3, Carlin 40200 Interrupted Duty Control, 41000 Ignitor, Cad Cell, 1 Stage Pump
<b>Air Tube and Combustion Head Assemblies with Nozzle Line Heater</b>	
78071S	EZ-1, 5" Air Tube / Combustion Head / Nozzle Line Heater
78089S	EZ-1, 7" Air Tube / Combustion Head / Nozzle Line Heater
78105S	EZ-1, 9" Air Tube / Combustion Head / Nozzle Line Heater
78113S	EZ-1, 11" Air tube / Combustion Head / Nozzle Line Heater
84764S	EZ-2, 3, - 5" Air Tube / Combustion Head / Nozzle Line Heater
84772S	EZ-2, 3, - 7" Air Tube / Combustion Head / Nozzle Line Heater
84780S	EZ-2, 3, - 9" Air Tube / Combustion Head / Nozzle Line Heater
84798S	EZ-2, 3, - 11" Air Tube / Combustion Head / Nozzle Line Heater
<b>Mounting Flange and/or Pedestal</b>	
81372S	3-1/2" Heavy-Duty Aluminum Universal Flange / Gasket
23317S	Pedestal

\* Prices shown when ordered with burner package.

### Carlin 99FRD Series Oil Burner



**Firing Range: 0.50 to 3.00 GPH**

The Carlin 99FRD is a compact, versatile 3450rpm oil burner that offers many features. Key features include: easy adjusting allen key retention ring adjustment, two simple adjustments for high CO2s and zero to trace smoke, highly resistant to pulsations and provides high static pressure over a wide firing range.

\* Prices shown when ordered with burner package.

Order No.	Description
10201	99FRD Carlin 48245 Intermittent Duty Control, 41000 Ignitor, Cad Cell, 1 Stg. Pump
10504	99FRD Carlin 40200 Interrupted Duty Control, 41000 Ignitor
<b>Air Tube and Conversion Kits for OEM Boilers</b>	
64006	5" WS (See Instruction Sheet P/N 64105 for Boiler Model)
65524	7" WS (See Instruction Sheet P/N 67462 for Boiler Model)
<b>Mounting Flange and/or Pedestal</b>	
23150S	3" Universal Flange/Gasket
23317S	Pedestal

The 99FRD, 100CRD, and 102CRD advanced oil burners feature Carlin's adjustable head assembly - for unmatched fuel/air mixing, smooth light-offs and quiet running. Proven for years in the field and in extensive boiler and furnace testing, these burners will meet your needs for oil-burning applications.

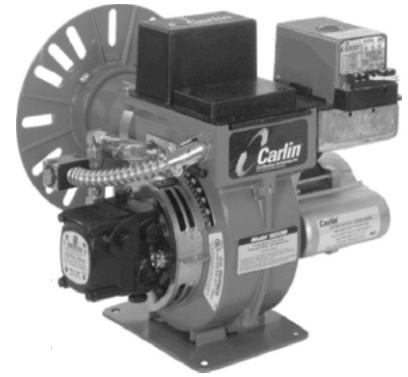
# 5 OIL BURNERS

## Carlin Residential Oil Burners

### Carlin 100CRD Series Oil Burner

Firing Range 0.50 to 2.25 GPH

The Carlin 100CRD is a 3450rpm oil burner that features an adjustable combustion head assembly which permits regulation of the new air pattern in the flame front area for optimum velocity with symmetrical velocity. The adjustable head allows the contractor to fine tune the burner to eliminate rough starts especially in the lower firing range.



The 99FRD, 100CRD, and 102CRD advanced oil burners feature Carlin's adjustable head assembly - for unmatched fuel/air mixing, smooth light-offs and quiet running. Proven for years in the field and in extensive boiler and furnace testing, these burners will meet your needs for oil-burning applications.

Order No.	Description
21301	100CRD Carlin 48245 Intermittent Duty Control, 41000 Ignitor
973260011J	100CRD Carlin 40200 Interrupted Duty Control, 41000 Ignitor
*Limited Production. Please call for pricing	
<b>Air Tube and Combustion Head Assemblies</b>	
20180	5" Standard
20230	7" Standard
20313	9" Standard
19919	11" Standard
<b>Mounting Flange Gaskets and Pedestals</b>	
23150S	3" Universal Flange/Gasket
23317S	Pedestal

\* Prices shown when ordered with burner package.

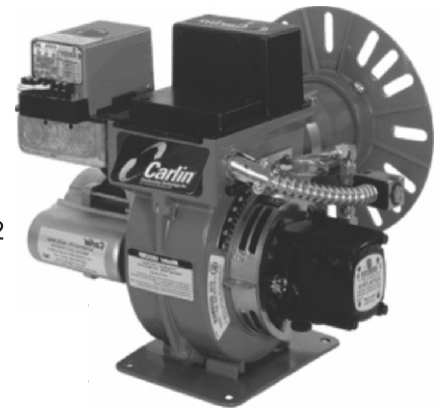
### Carlin 102CRD Series Oil Burner

Available in two capacities:

"B" – 2.00 to 3.50 GPH

"C" – 3.00 to 4.50 GPH

The Carlin 102CRD Oil Burner is one that bridges the gap between residential and commercial burners. It is easy to install and tune with just two simple adjustments. Set the air band and lock it then adjust the retention ring with Allen key for high CO<sub>2</sub> and zero to trace of smoke.



The 99FRD, 100CRD, and 102CRD advanced oil burners feature Carlin's adjustable head assembly - for unmatched fuel/air mixing, smooth light-offs and quiet running. Proven for years in the field and in extensive boiler and furnace testing, these burners will meet your needs for oil-burning applications.

Order No.	Description
97403	102CRD Carlin 40200 Interrupted Duty Control, 41000 Ignitor
974030011J	102CRD Carlin 50200 Control with Contacts, 41000 Ignitor
<b>Air Tube and Combustion Head Assemblies</b>	
21790	5" with 2 5/8" I.D. Air Cone, 2.00 - 3.50 GPH "B" Style
21857	7" with 2 5/8" I.D. Air Cone, 2.00 - 3.50 GPH "B" Style
21881	9" with 2 5/8" I.D. Air Cone, 2.00 - 3.50 GPH "B" Style
21691	11" with 2 5/8" I.D. Air Cone, 2.00 - 3.50 GPH "B" Style
21980	5" with 3" I.D. Air Cone, 3.00 - 4.50 GPH "C" Style
21998	7" with 3" I.D. Air Cone, 3.00 - 4.50 GPH "C" Style
22004	9" with 3" I.D. Air Cone, 3.00 - 4.50 GPH "C" Style
21915	11" with 3" I.D. Air Cone, 3.00 - 4.50 GPH "C" Style
<b>Mounting Flange and/or Pedestal</b>	
23150S	3" Universal Flange/Gasket
23317S	Pedestal

\* Prices shown when ordered with burner package.



Part No.	Description	Elite EZ-1	Elite EZ-2	Elite EZ-3	99 FRD	100 CRD	102 CRD
<b>Blower Wheels (Fans)</b>							
77933S	5 1/16" OD x 2" W, 1/2" Bore	X	X	X			
28605S	5 1/4" OD x 2" W, 1/2" Bore				X		
28530S	4 1/4" OD x 2 15/16" W, 1/2" Bore					X	
28506S	5 1/16" OD x 2 1/4" W, 1/2" Bore						X
98857KIT	FAN 6-1/4 OD x 3-3/4w SERV KIT						
<b>Combustion Head Assemblies</b>							
(Includes nozzle line adapter assembly, flame retention ring assembly, electrode, bracket, set of (2) electrode wires, retaining ring, and nozzle line thumb nut; ' Elite includes nozzle line heater.)							
77958S	Nominal Tube Length 5", 7 3/4" OAL	X	X	X			
77966S	Nominal Tube Length 7", 9 3/4" OAL	X	X	X			
77974S	Nominal Tube Length 9", 11 3/4" OAL	X	X	X			
77982S	Nominal Tube Length 11", 13 3/4" OAL	X	X	X			
68650S	Air Tube/Comb Head 10" Nom						
<b>Electrode Sets</b>							
82768S	Set of 2, 5" Nominal, Approx. 6 3/4" OAL	X	X	X	X	X	X
82776S	Set of 2, 7" Nominal, Approx. 8 3/4" OAL	X	X	X	X	X	X
82784S	Set of 2, 9" Nominal, Approx. 10 3/4" OAL	X	X	X	X	X	X
82792S	Set of 2, 11" Nominal, Approx. 12 3/4" OAL	X	X	X	X	X	X
<b>Flame Retention Rings</b>							
77438S	Flame Retention Ring Assembly	X	X	X			
54981S	Flame Retention Ring Assembly				X	X	
55061S	Flame Retention Ring Assembly						X
<b>Fuel Units</b>							
22996S	Fuel Unit, Suntec, 1 Stage, A2VA-7116	X	X	X	X	X	
98750S	Fuel Unit, Suntec, 1 Stage, A2VA-3006 (integral oil valve)	X	X	X	X	X	
23234S	Fuel Unit, Suntec, 1 Stage, A2YA-7916						X
<b>Oil Lines</b>							
34397S	Oil Line Kit, 3/16 OD, Std. Includes Fuel Unit to Oil Valve/Unit to Nozzle Line/Oil Valve to Nozzle Line	X	X	X	X	X	X
<b>Oil Valves</b>							
SVC10FF	Carlin Oil Valve - 110V Instant Open	X	X	X	X	X	X
98289	Carlin Oil Valve Kit with Fittings	X	X	X	X	X	X
40857	Instant Opening Oil Valve (Peter Paul)	X	X	X	X	X	X
41004S	Instant Oil Valve 3 way						
<b>Miscellaneous Parts</b>							
81570S	Head Positioning Bar Kit (7 ea) - 0.5-1.65 GPH	X					
84715S	Head Positioning Bar Kit (4 ea) - 1.50 - 2.25 GPH		X				
86389S	Head Positioning Bar Kit (3 ea) - 2.00-2.50 GPH			X			
66795S	Nozzle Line Heater Kit	X	X	X	X	X	

# 5 OIL BURNERS

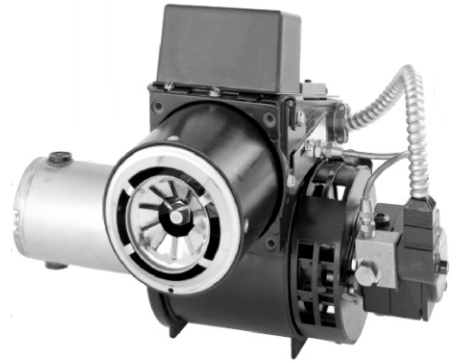
## Wayne Oil Burners

### Wayne MSR-DC Oil Burner

#### 12 VOLT OIL BURNER

- Firing Rate: 1.00 to 2.75 GPH
- Power Supply: 12V DC
- Ignition: 20KV Secondary

A specially designed burner for No. 1 or No. 2 fuel oil which allows the burner to operate from a gasoline driven engine through the alternator and a heavy duty battery without the need for a generator.

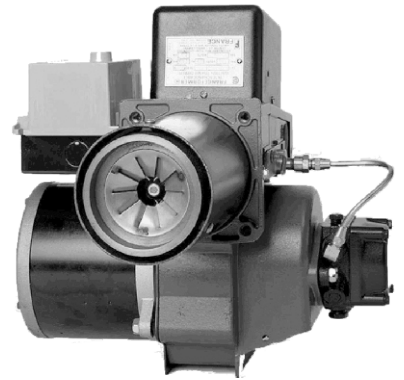


Order No.	Description
W300-105B	MSR 6" 120V
W300-109B	MSR 9" 120V
W300-103BDC	MSR-DC 12V
W300-103BDCDO	MSR-DC 12V W/Drop Out Timer Kit

### Wayne HS Oil Burner

Order No.	Description
W300-711C	HS Oil Burner with 6" Air Tube & Flg
W300-713C	HS Oil Burner with 9" Air Tube & Flg
W300-715C	HS Oil Burner with 12" Air Tube & Flg
W300-719C	HS Oil Burner with 15" Air Tube & Flg
W300719C	HS Oil Burner with 18" Air Tube & Flg

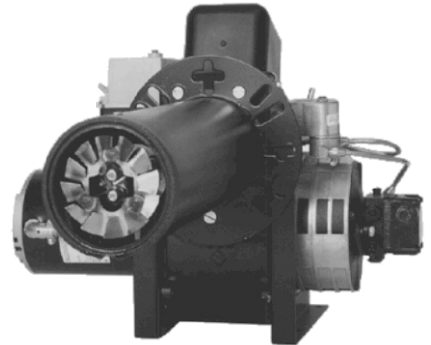
The Wayne HS is an oil burner with a firing range of 0.50 to 3.00 gph. It comes complete with an air tube and universal mounting flange. The HS offers standard North American parts. **Available with air tubes up to 18" in length.**



### Wayne EH & FH Oil Burners

Order No.	Description
W300-201	EH Oil Burner with 6" Air Tube & Flg
W300-203	EH Oil Burner with 9" Air Tube & Flg
W300-205	EH Oil Burner with 12" Air Tube & Flg
W300-032	FH Oil Burner with 10" Air Tube & Flg
W300-034	FH Oil Burner with 12" Air Tube & Flg

**MODEL EH COMMERCIAL OIL BURNER** - Fires 2.00 to 6.00 GPH, Efficient single stage burner featuring a large fuel unit and a 1/4HP motor. Fully assembled unit includes a pump with oil valve and includes adjustable flange and gasket.



### Wayne Oil Burner Replacement Parts

Order No.	Description	FH	MSR	MSR DC	EH	HS
W100333	Air Cone #SE Stainless (Model MSRH-1)					
W100333-002	Air Cone #SE2Stainless (Model MEG-1)					
W100386	Coupling - A or B Fuel Units HS Series					X
W100393-SER	Flamelock Assembly - 10 Vane (0.50-3.00GPH)					X
W100420	Air Cone HS Series (Standard 0.50-2.50GPH)					
W100428-002	Flange Gasket - Standard 7 1/2"OD X 4"ID Model HS Blue Angel & Blue Angel Plus					X
W100485-SER	Flamelock Assembly - 5 Vane (0.50-0.65GPH)					X
W100531-001	Air Cone HS Series (Optional 2.50-3.00GPH)					
W100540-001	Screw, Air Cone Stainless (Use with SE2 Air Cone) 2REQ					

## Wayne Oil Burner Replacement Parts

Order No.	Description	FH	MSR	MSR DC	EH	HS
W100610-001	Oil Valve Complete - 115V Suntec					
W100610-002	Oil Valve Complete - 230V Suntec					
W100610-005	Oil Valve Complete - 12VDC Suntec					
W100732-001	Ignition Contact Spring (Christmas Tree Shape 2REQ)					
W100885-001	Valve Coil Only - 120V For use on 101128-009 Suntec Pump/Valve Combo					
W100885-002	Valve Coil Only - 12V For use on 101128-011 Suntec Pump/Valve Combo					
W100889-KIT	Drop-out Timer Retrofit Kit - MSR 12VDC		X	X		
W100950-001	Kit Tune-Up/Repair - HS Series (Blue Angel Plus - Single Block Insulator)					X
W100989-061	Electrode ASM - Current HS Blue Angel Plus "single block" insulator					X
W100990-001	Ignition Contact Spring (Funnel Shape 2REQ)					
W101119-001	Coupling - A or B Fuel Units MSR-DC			X		
W101126-002	Motor Replacement Kit - 12VDC (Replaces Kit 101126-001)		X			
W101126-003	Motor Replacement Kit - 12VDC (Includes Fan)				X	
W101128-009	Pump/Valve Combo - 3GPH 3450RPM Single Stage 120V Solenoid Valve					
W101128-010	Pump Valve Combo - 3GPH 3450RPM Single Stage 230V Solenoid Valve					
W101128-011	Pump/Valve Combo 3GPH Single Stage 12VDC Solenoid Valve					
W101136-001	Pump - 22GPH 3450RPM Two Stage Suntec B2TB8260	X				
W101136-001	Pump - 22GPH 3450RPM 2Stage Suntec B2TA8260 (Replaces 101201-001)					
W101295-SERE	Solid State Ignitor Kit 120V/60Hz EH/EHA/EHASR Series				X	
W101295-SERFH	Ignitor ASM - 115V/60Hz Solid State	X				
W101295-SERHS	Solid State Ignitor Kit 120V/60Hz HS Series					X
W101295-SERM	Solid State Ignitor Kit 120V/60Hz MSR Series		X			
W101317-001	Fan 2.44"W X 4.53" Dia MSR 12VDC (Replaces 101350-001)		X	X		
W101320-001	Coupling - A or B Fuel Units EH 12VDC				X	
W101343-SER	Control - Wayne/Honeywell Primary R7284G1015 (15Sec)					
W101377-KIT	Ignitor Kit 240V-M PLT w/Gasket					
W101382-001	Control ASM - Wayne 12VDC Primary					
W101382-002	Control ASM - Wayne 12VDC Primary Power Washer App.					
W101385-KIT	Solid State Ignito Kit 12VDC MSR Burners		X	X		
W12329	Air Cone - 3"ID 8-Vane, Cast Iron					
W12362	Nozzle Adapter - Regular (less flamelock, less centering legs)					
W12484	Flange Gasket - Standard 7 3/8"OD X 4 1/4"ID Models MSR, MH, EH, EHA, EHASR		X	X	X	
W12573	Brass Dual Nozzle Adapter	X				

# 5 OIL BURNERS

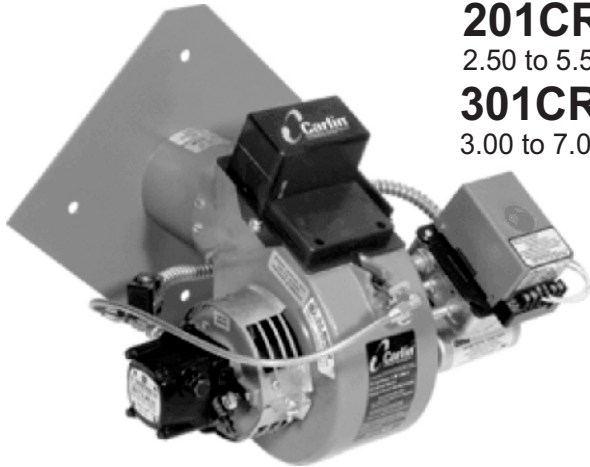
## Wayne Oil Burner Replacement Parts

Order No.	Description	FH	MSR	MSR DC	EH	HS
W12575	Electrode Stem/Insulator Models E, OE, EA, OEA, ER & ERA (1 stem, insulator & nut)					
W12699	Screw, Air Cone - 1REQ (Use w/all cast iron cones except HS)					
W12988	Nozzle Adapter ASM w/flamelock ASM (less centering legs)					
W12988-002	Nozzle Adapter ASM w/flamelock ASM (with 4 1/4"D centering legs)					
W12989	Air Cone - 3.00"ID Flamelock (No Vanes)					
W12990	Air Cone - 3.25"ID Flamelock (No Vanes)					
W12VDC COP-KIT2	Control - Wayne 12VDC Primary (Use to add control to Wayne 12VDC pressure wash app)					
W12VDC COP-KIT	Control - Wayne 12VDC Primary (Use to add control to Wayne 12VDC oil burners)					
W13002	Air Cone - 2.75"ID Flamelock (No Vanes)					
W13003	Air Cone - 3.56"ID Flamelock (No Vanes)					
W13127	Air Cone - Cast Iron 3/8"ID (7-11GPH)	X				
W13128	Air Cone - Cast Iron 13/16"ID (11-13GPH)	X				
W13129	Flamelock	X				
W13135	Solenoid Oil Valve - Honeywell V4046A1009	X				
W13142-002	Coupling	X				
W13142-002	Coupling - A or B Fuel Units FH Heavy	X				
W13276-002	Buss Bar Support Yoke (Replaces 13276 on all models)					
W13279	Coupling - A or B Fuel Units E Series				X	
W13286	Electrode Stem/Insulator Kit - Models MSR, EH, EHA & EHASR		X	X	X	
W13424	Coupling - A or B Fuel Units M Series		X			
W13495	Pump - 3GPH Max 3450RPM Single Stage A2VA7116					
W13634	Pump - 3GPH 3450RPM Two Stage Suntec B2VA8216					
W13645	Pump - 3GPH 2850RPM Single Stage Suntec A2VA7142					
W13666-KIT	Cad Cell - Honeywell C554A1216 - 60" Lead, 90' Bracket	X				
W13841	Pump - 7GPH 3450RPM Single Stage B2YA8916					
W14116	Screw, Air Cone - 3REQ (Used w/all stainless cones except SE2)					
W14157	Air Cone #1A Stainless					
W14158	Air Cone #2A Stainless					
W14159	Air Cone #3A Stainless					
W14160	Air Cone #4A Stainless					
W14203	Air Cone - Cast Iron 3/16"ID (4-7GPH)	X				
W14240	Coupling - A or B Fuel Units FHA	X				
W14289-KIT	Cad Cell - Honeywell C554A1570 - 15" Lead 17' Bracket					
W14290-KIT	Cad Cell - Honeywell C554A1463 - 60" Lead, Mult Mounting Bracket	X				
W14302	Air Cone #5A Stainless					
W14365	Air Cone #6A Stainless					
W14366	Air Cone #7A Stainless					

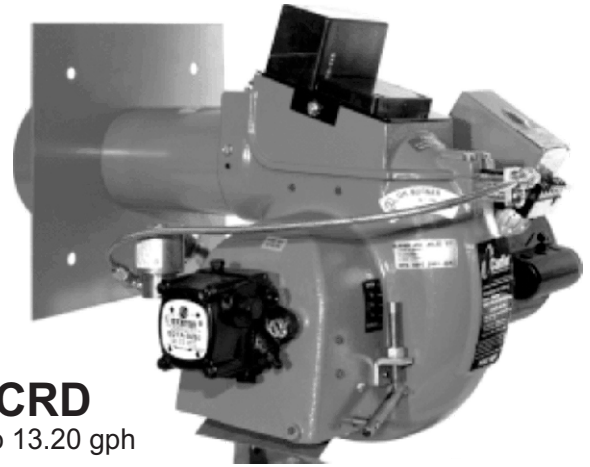
Order No.	Description	FH	MSR	MSR DC	EH	HS
W14375	Pump - 7 GPH 3450RPM Single Stage Suntec A2YA7916					
W14396	Air Cone #8A Stainless					
W18009-001	Screw, Air Cone Stainless (Use w/HS Air Cones) 3REQ					
W20100-006	Kit - Electrode Assembly -FH 10" Burners	X				
W20100-011	Kit - Electrode Assembly -FH 15" Burners	X				
W20101-001	Electrode ASM Kit - E Series				X	
W20102-001	Electrode ASM Kit - M Series		X	X		
W20288	Fan 3.44"W X 5.25"D E Series 120V/230V Burners				X	
W20627	Motor - 1/7HP 120V 50/60Hz 2850/3450RPM		X			X
W20673	Fan 3.12"W X 4.25"D MSR Series 120V/230V burners		X			
W21427	Fan 3.44"W X 4.25"D MSR Series 120V/230V Burners		X			
W21569	Motor - 1/5HP 120V 60Hz 3450RPM (Models EHA & EHASR)				X	
W21642	Fan 2.00"W X 5.50"D HS Series					X
W21684	Electrode ASM Kit - Orig HS Blue Angel (Inc. 1 Right & 1 Left Assembly)					X
W21702-002	Blower Wheel - Use for ½" Dia. Shaft Motor	X				
W21819-002	Motor - 1/2HP 120V 60Hz 3450RPM ½" Diam. Shaft	X				
W21854	Fan 4.00"W X 6.25" Dia. E Series Burners (Replaces 20289 & 21854-001 Fans)				X	
W21913-SER	Nozzle Adapter - Regular (less flamelock ASM, with 4 1/4" OD centering legs)					
W21993-006	Motor - 12VDC 3950RPM (Models MSR-DC & EH-DC)			X	X	
W23000-KITM	Motor Kit - PSC 1/7HP 120V 60Hz 3450RPM Convert M series to PSC		X			
W23000-SER	Motor - PSC 1/7HP 120V 60Hz 3450RPM		X			
W23018-001	Fan 3.25"W X 5.75" Dia EH Series 12VDC Burners				X	
W23101-E	Transformer 120V/60Hz E Series				X	
W23101-FH	Transformer ASM - 115V/60Hz Replaced 21665	X				
W23101-HS	Transformer 120V/60Hz HS Series					X
W23101-M	Transformer 120V/60Hz M Series		X			
W24005-001	Motor 1/4HP 120V 60Hz 3450RPM (Models EH & EHA - Replaces 20383)				X	
W30728-002	Gun (Drawer) Assembly - 10" Burner	X				
W30728-008	Gun (Drawer) Assembly - 15" Burner	X				
W31156	Kit Tune-Up/Repair - Model E & M Series		X	X	X	
W31157	Kit Tune-Up/Repair - HS Series					X
W31812-003	Solid State Ignitor Kit - 12VDC MSR Burners		X	X		
W31812-TMR	Solid State Ignitor Kit MSR/EH/EHA/EHASR (For units with Drop-out timer kit)		X	X	X	
W31813-002	Solid State Ignitor Kit 230V/60Hz EH/EHA/EHASR Burners				X	
W31813-003	Solid State Ignitor Kit - 12VDC E Burners				X	

# 5 OIL BURNERS

## Carlin Commercial Oil Burners



**201CRD**  
2.50 to 5.50 gph  
**301CRD**  
3.00 to 7.00 gph



**601CRD**  
6.00 to 13.20 gph

Order No.	Description
<b>C91629B02</b>	<b>201CRD Chassis with:</b> <ul style="list-style-type: none"> <li>70200 Fully Adjustable Control</li> <li>41000 Constant Duty Ignitor</li> <li>Single Stage "A" Pump</li> <li>1/4HP Motor</li> <li>Instant Opening Valve</li> <li>Single Nozzle Burner with ON-OFF Firing</li> </ul>
<b>C91652B02</b>	<b>301CRD Chassis with:</b> <ul style="list-style-type: none"> <li>70200 Fully Adjustable Control</li> <li>41000 Constant Duty Ignitor</li> <li>Single Stage "A" Pump</li> <li>1/4HP Motor</li> <li>Instant Opening Valve</li> <li>Single Nozzle Burner with ON-OFF Firing</li> </ul>
	Upgrade for B-Pump

**Choose ONE of the following air tubes:**

<b>C22046</b>	7" Standard Air Tube for 201CRD
<b>C22053</b>	9" Standard Air Tube for 201CRD
<b>C22012</b>	11" Standard Air Tube for 201CRD
<b>C22020</b>	15" Standard Air Tube for 201CRD
<b>C22293</b>	6" Air Tube for 301CRD (3 to 6gph)
<b>C22327</b>	8" Air Tube for 301CRD (3 to 6gph)
<b>C22202</b>	10" Air Tube for 301CRD (3 to 6gph)
<b>C22236</b>	14" Air Tube for 301CRD (3 to 6gph)
<b>C22442</b>	6" Air Tube for 301CRD (4 to 7gph)
<b>C22475</b>	8" Air Tube for 301CRD (4 to 7gph)
<b>C22350</b>	10" Air Tube for 301CRD (4 to 7gph)
<b>C22384</b>	14" Air Tube for 301CRD (4 to 7gph)

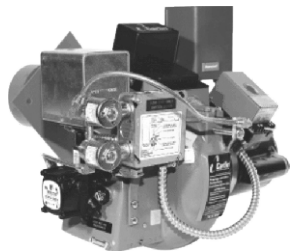
**Choose ONE of the following:**

<b>C23259S</b>	4" Universal Flange / Gasket
<b>C23184S</b>	4" Pressure Firing Flange / Gasket
<b>C23358S</b>	Pedestal

Order No.	Description
<b>C91660B04</b>	<b>601CRD Chassis with:</b> <ul style="list-style-type: none"> <li>70200 Fully Adjustable Control</li> <li>41000 Constant Duty Ignitor</li> <li>Two Stage "B" Pump</li> <li>1/2HP Motor</li> <li>Instant Opening Valve</li> <li>Single Nozzle Burner with ON-OFF Firing</li> </ul>
	Upgrade for J-Pump
	Upgrade for Motor Contactor, 208-230/460 Volt
<b>Choose ONE of the following air tubes:</b>	
<b>C22517</b>	10" Air Tube for 601CRD
<b>C22541</b>	12" Air Tube for 601CRD
<b>C22574</b>	14" Air Tube for 601CRD
<b>Choose ONE of the following:</b>	
<b>C23259S</b>	4" Universal Flange / Gasket
<b>C23184S</b>	4" Pressure Firing Flange / Gasket
<b>C23382S</b>	Pedestal

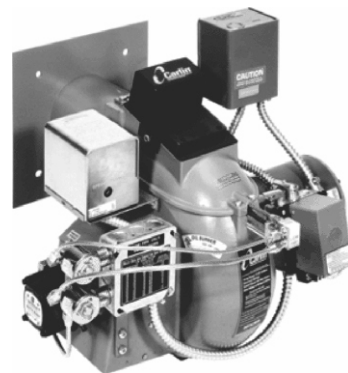
### Never Installed a Carlin Commercial Burner Before? It's Really Easy, here's how...

1. Select Proper Nozzle(s)
2. Install Nozzle(s) in Combustion Head
3. Look in Installation and Operating Manual for proper settings for the firing rate
4. Set Gross Air and Combustion Head to the settings found in the Installation and Operating Manual
5. Fire up burner and get into high-fire, if setting up a dual-rate burner
6. Do smoke test, if unit under a #1 smoke, then let unit warm up for five minutes
7. Do combustion tests in high-fire and fine-tune combustion head using adjusting screw on the back of the burner. Your target is 12% CO<sub>2</sub> and 0 Smoke.
8. Carlin Technical Service: 1-800-989-2275



**702CRD**  
6.00 to 13.20 gph  
(Lo-Hi-Lo Firing)

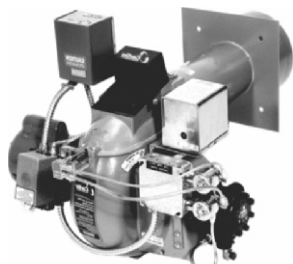
**701CRD**  
6.00 to 13.20 gph  
(Lo-Hi-Lo)



**801CRD**  
11.40 to 19.80 gph  
(Lo-Hi-Lo)

Order No.	Description
<b>C91694B04</b>	<b>702CRD Chassis with:</b> <ul style="list-style-type: none"> <li>70200 Fully Adjustable Control</li> <li>41000 Constant Duty Ignitor</li> <li>Two Stage "B" Pump (100/300)</li> <li>1/2HP Motor</li> <li>Instant Opening Valves</li> <li>Single Nozzle Burner with LO-HI-LO Firing</li> </ul>
<b>Choose ONE of the following air tubes:</b>	
<b>C68650</b>	10" Air Tube for 702CRD
<b>Choose ONE of the following:</b>	
<b>C23259S</b>	4" Universal Flange / Gasket
<b>C23184S</b>	4" Pressure Firing Flange / Gasket
<b>C23382S</b>	Pedestal

Order No.	Description
<b>C91686B04</b>	<b>701CRD Chassis with:</b> <ul style="list-style-type: none"> <li>70200 Fully Adjustable Control</li> <li>41000 Constant Duty Ignitor</li> <li>Two Stage "B" Pump</li> <li>1/2HP Motor</li> <li>Instant Opening Valves</li> <li>Two Nozzle Burner with LO-HI-LO Firing</li> </ul>
<b>Choose ONE of the following air tubes:</b>	
<b>C22632</b>	10" Air Tube for 701CRD
<b>C22665</b>	12" Air Tube for 701CRD
<b>C22669</b>	14" Air Tube for 701CRD
<b>Choose ONE of the following:</b>	
<b>C23259S</b>	4" Universal Flange / Gasket
<b>C23184S</b>	4" Pressure Firing Flange / Gasket
<b>C23382S</b>	Pedestal



**1050FFD**  
15.00 to 25.00 gph (Lo-Hi-Lo)

**1150FFD**  
20.00 to 35.00 gph (Lo-Hi-Lo)

Order No.	Description
<b>C1050FFD</b>	<b>1050FFD Burner Complete with:</b> <ul style="list-style-type: none"> <li>40200 Control and 41000 Constant Duty Ignitor</li> <li>Two Stage "J" Pump</li> <li>Pedestal, flange &amp; spacer</li> <li>1HP Motor</li> <li>Three Instant Opening Valves</li> <li>Three Nozzle Burner with LO-HI-LO Firing</li> </ul>
<b>C1150FFD</b>	<b>1150FFD Burner Complete with:</b> <ul style="list-style-type: none"> <li>60200 Control and 41000 Constant Duty Ignitor</li> <li>Two Stage "J" Pump</li> <li>Pedestal, flange &amp; spacer</li> <li>1-1/2HP Motor</li> <li>Three Instant Opening Valves</li> <li>Three Nozzle Burner with LO-HI-LO Firing</li> </ul>
	Upgrade for 3 phase, 208-230/460

Order No.	Description
<b>C91710B04</b>	<b>801CRD Chassis with:</b> <ul style="list-style-type: none"> <li>70200 Fully Adjustable Control</li> <li>41000 Constant Duty Ignitor</li> <li>Two Stage "B" Pump</li> <li>3/4HP Motor</li> <li>Instant Opening Valves</li> <li>Two Nozzle Burner with LO-HI-LO Firing</li> </ul>
	Upgrade for J-Pump
	Upgrade for 3 phase, 208-230/460 Volt
<b>Choose ONE of the following air tubes:</b>	
<b>C22756</b>	10" Air Tube for 801CRD
<b>C22780</b>	12" Air Tube for 801CRD
<b>C22814</b>	15" Air Tube for 801CRD
<b>Choose ONE of the following:</b>	
<b>C23283S</b>	5" Universal Flange / Gasket
<b>C23218S</b>	5" Pressure Firing Flange / Gasket
<b>C23382S</b>	Pedestal

# 5 OIL BURNERS

## Carlin Commercial Oil Burners

New Part No.	Description	201 CRD	301 CRD	601 CRD	701 CRD	702 CRD	801 CRD	1050 FFD	1150 FFD
<b>Blower Wheels</b>									
28563S	5 3/4" OD x 4" W, 1/2" Bore	X	X						
28589S	6 5/16" OD x 4" W, 1/2" Bore			X	X				
98857S	Blower Wheel, 6 1/2" OD x 3 3/4" W, 1/2" Bore			X	X	X			
98857KIT	Blower Wheel, Coupling, Augmentor, 6 1/2"			X	X	X			
28548S	7" OD x 5" W, 5/8" Bore						X	X	
28555S	7 5/8" OD x 5" W, 5/8" Bore								X
<b>Couplings</b>									
28738	1/2" ID x 7/16" ID x 4 7/8" L   H or J Pump			X	X				
28761	1/2" ID x 5/16" ID x 6 11/32" L   B Pump			X	X	X			
98229	1/2" ID x 5/16" ID x 6 1/2" L   B Pump						X		
28779	1/2" ID x 7/16" ID x 5 13/16" L   H Pump						X	X	X
98856	1/2" ID x 5/16" ID x 6 13/16" L   B Pump			X	X	X			
<b>Electrode Sets</b>									
82776S	Set of 2, 7/6" Nominal, Approx. 8 1/2" OAL	X	X						
82784S	Set of 2, 9/8" Nominal, Approx. 10 3/4" OAL	X	X						
82792S	Set of 2, 11/10" Nominal, Approx. 12 1/2" OAL	X	X						
82818S	Set of 2, 15/14" Nominal, Approx. 16 1/2" OAL	X	X						
82826S	Set of 2, 18/17" Nominal, Approx. 19 1/2" OAL	X	X						
98507	Set of 2, Approx. 9 1/4" OAL			X	X	X	X	X	X
<b>Ignition Wire</b>									
56069S	9 1/4" OAL, for Nominal 12" Air Tube (2 req'd)			X	X		X		
56036S	10 3/4" OAL for Nominal 14" Air Tube (2 req'd)			X	X				
56085S	8 3/8" OAL, for Nominal 10" Air Tube (2 req'd)			X	X	X			
56127S	10 1/8" OAL, for Nominal 12" Air Tube (2 req)						X		
56135S	11 5/8" OAL, for Nominal 15" Air Tube (2 req)						X		
55772S	Ignition Wire, 12 1/4" OAL Long (2 req'd)							X	X
<b>Motors</b>									
98630S	1/4 hp, 120V, 60HZ, 48N Frame	X	X						
27706S	1/2 hp, 115/230V, 60HZ, 1 Phase, 3450 rpm			X	X	X			
27730S	3/4 hp, 115/208-230V, 60HZ, 1 Phase, 3450						X		
27748S	3/4 hp, 208-230/460V, 60HZ, 3 Phase, 3450						X		
27516S	1 hp, 115/208-230V, 60HZ, 1 Phase, 3450							X	
27532S	1 hp, 208-230/460V, 60HZ, 3 Phase, 3450							X	
27557S	1 1/2 hp, 115/208-230V, 60HZ, 1 Phase, 3450								X
27565S	1 1/2 hp, 208-230/460V, 60HZ, 3 Phase, 3450								X
<b>Oil Lines, Oil Valves and Pedestals</b>									
34785S	Oil Line Kit (inc. All oil lines)	X	X						
75291S	Oil Line Kit (inc. All oil lines)			X	X	X			
34785KITS	Oil Line Kit (inc. All oil lines)						X	X	X
SVC10FF	Carlin Oil Valve	X	X						
98289S	Oil Valve Kit with Fittings	X	X						
40857	Instant Oil Valve 32Z0071TSCV	X	X	X		X			
41004	Instant Oil Valve 32Z0078TSCV 3 Way				X	X	X		
40600	Instant Oil Valve 32Z0027TSCV 3 Way							X	X
23358S	Pedestal with Hardware	X	X						
23382S	Pedestal with Hardware			X	X	X	X	X	X
<b>Miscellaneous Parts</b>									
35808	Damper Motor, Honeywell M436A1090				X	X	X	X	X
35824	Motor Contactor, 20 amp, R4242B1005			X	X	X	X		
35840	Motor Contactor, 30 amp, R4243B1004							X	X
54932	Terminal Block Nozzle Line				X		X	X	X



Order Number	Description
B 518	ANTI-HUM DEVICE
B 2454	COUPLING FOR A, AF, AFG & NX BURNERS REPLACES 5861
B 3666	BULKHEAD FITTING LOCKNUT
B 5432	ADJUSTABLE FLANGE FOR ALL 4" O.D. TUBES
B 5606	PEDESTAL KIT - EXTENDED
B 5636	OIL LINE ASSEMBLY FOR AF & AFG BURNERS-6-1/2"
B 5669	120V 1/8" 150 PSI DELAY OIL VALVE KIT V4046A1009
B 5685	STANDARD PEDESTAL KIT
B 5686	STANDARD PEDESTAL EXT. KIT
B 5770	JUNCTION BOX
B 5780	UNIVERSAL ELECTRODE KIT FOR MODELS AFG, AF, AR, SF
B 5782	UNIVERSAL LONG ELECTRODE KIT FOR MODELS AFG, AF, AR, SF
B 5880	LOW FIRING RATE BAFFLE
B 7512	HEAT MANAGER RESIDENTIAL BOILER CONTROL
B 7518	SENSOR FOR HEAT MANAGER BOILER CONTROL
B 31653	ROUND FLANGE GASKET REPLACES 3616
B 51480	ADJUSTABLE FLANGE KIT 3-1/2" I.D. FOR AFII
B 571801	BULKHEAD FITTING KIT ,A
B 21755U	115V VALVE COIL KIT
B 21805B	SAME AS 21805U PSC 1/7 HP 3450 RPM OIL BURNER MOTOR
B 2184404U	SINGLE STAGE BECKETT CLEAN CUT PUMP ( A2EA6520 ) WI
B 21941U	2 STAGE CLEAN CUT OIL PUMP WITH 120V COIL & PD TIMER
B 2459U	BLOWER WHEEL FOR AF 4-1/4" X 3-7/16"
B 2999U	BLOWER WHEEL FOR AFG 4-1/4" X 2-1/2"
B 51484U	UNIVERSAL ELECTRODE KIT FOR AFII, HLX TUBES
B 51838U	SOLID STATE IGNITOR ASSEMBLY FOR A,AF,AFG LESS BASE
B 51771U	SOLID STATE IGNITOR ASSEMBLY FOR BECKETT A, AF, &
B 51950U	A/C READY KIT FOR GENISYS CONTROLS
B 7505B1500	GENISYS RELAY CONTROL WITH 15 SECONDD LOCKOUT
B 7600A0001U	120V AQUASMART BOILER TEMPERATURE CONTROL FOR OIL
B 7600B0001U	24V AQUASMART BOILER TEMPERATURE CONTROL FOR GAS
B AF104	10 1/2" BLAST TUBE W/ NOZZLE LINE LESS HEAD
B AF130	13" BLAST TUBE W/NOZZLE LINE LESS HEAD
B AF160	16" BLAST TUBE W/NOZZLE LINE LESS HEAD
B AF35	3 5/8" BLAST TUBE W/NOZZLE LINE LESS HEAD
B AF44	4 1/2" BLAST TUBE W/NOZZLE LINE LESS HEAD
B AF53	5 3/8" BLAST TUBE W/NOZZLE LINE LESS HEAD
B AF65	6 5/8" BLAST TUBE W/NOZZLE LINE LESS HEAD
B AF72	7 1/4" BLAST TUBE W/NOZZLE LINE LESS HEAD
B AF90	9" BLAST TUBE W/NOZZLE LINE LESS HEAD
B B2007	AFG CHASSIS W/GENISYS B CONTROL, PSC MOTOR
B F-0	.40-.75 GPH HEAD XR
B F-12	1.10-2.00 GPH HEAD XO
B F-22	1.65-2.50 GPH HEAD XP
B F-3	.75-1.25 GPH HEAD XN
B F-310	2.50-5.50 GPH HEAD
B F-4	.85-1.35 GPH HEAD
B F-6	.85-1.65 GPH HEAD YB
B T501	ELECTRODE GAUGE REPLACES T500
B Z2000U	Z GAUGE KIT