

WARD HEATING PRODUCTS

2018 CATALOGUE

Gas Burners



Section 4



4 GAS BURNERS

Riello Power Gas Burners



Riello 40 Series Power Gas Burners

G120-G750

On-Off

38 - 750 MBtuh

G900

2-Stage

250 - 900MBtuh

Quality engineered to Riello's world-class standard, 40-Series gas burners are built for maximum reliability. Riello 40-Series high-efficiency burners not only deliver low energy consumption and quiet, worry-free performance, they're the most reliable combustion technology on the market. The Riello 40-Series gas burners offer a host of advanced features – such as durable, lightweight, compact construction; an integrated electronic primary control with interrupted ignition; and an automatic air shutter that eliminates heat loss and enhances efficiency. Easy to install and service and backed by coast-to-coast support, Riello 40-Series gas burners are available with firing rates from 38 to 900 MBtuh to handle a complete range of residential and light-commercial/industrial applications.

Burner	Item No.	Voltage	Description
GAS 120	C8551115	120/1/60	NG Burner with Short Tube and ½" Gas Train
Range:	C8551116	120/1/60	NG Burner with Long Tube and ½" Gas Train
40-120	C8551117	120/1/60	LP Burner with Short Tube and ½" Gas Train
ON-OFF	C8551118	120/1/60	LP Burner with Long Tube and ½" Gas Train

Burner	Item No.	Voltage	Description
GAS 200	C8552115	120/1/60	NG Burner with Short Tube and ½" Gas Train
Range:	C8552116	120/1/60	NG Burner with Long Tube and ½" Gas Train
70-200	C8552117	120/1/60	LP Burner with Short Tube and ½" Gas Train
ON-OFF	C8552118	120/1/60	LP Burner with Long Tube and ½" Gas Train

Burner	Item No.	Voltage	Description
GAS 400	C8554115	120/1/60	NG Burner with Short Tube and ¾" Gas Train
Range:	C8554116	120/1/60	NG Burner with Long Tube and ¾" Gas Train
170-400	C8554117	120/1/60	LP Burner with Short Tube and ¾" Gas Train
ON-OFF	C8554118	120/1/60	LP Burner with Long Tube and ¾" Gas Train

Burner	Item No.	Voltage	Description
GAS 750	C8559263	120/1/60	NG Burner with Short Tube and 1" Gas Train
Range:	C8559264	120/1/60	NG Burner with Long Tube and 1" Gas Train
250-750	C8559265	120/1/60	LP Burner with Short Tube and 1" Gas Train
ON-OFF	C8559266	120/1/60	LP Burner with Long Tube and 1" Gas Train

Burner	Item No.	Voltage	Description
GAS 900	C8559253	120/1/60	NG Burner with Short Tube and 1" Gas Train
Range:	C8559255	120/1/60	NG Burner with Long Tube and 1" Gas Train
250/360-900	C8559254	120/1/60	LP Burner with Short Tube and 1" Gas Train
LOW-HI-LOW	C8559256	120/1/60	LP Burner with Long Tube and 1" Gas Train

Part No.	Description	120	200	400	750	900
3000870	HINGE ASSEMBLY G200-900		X	X	X	X
3000886	PROPANE CONVERSION KIT FOR G750 AND G900				X	X
3001162	PRIMARY CONTROL BOX 525SE/A G120-400	X	X	X		
3002307	CONTROL BOX SUB-BASE G120-400	X	X	X		
3002461	HIGH VOLTAGE TRANS. LEAD G50 - G900				X	X
3002462	IGNITION TRANSFORMER FS-20 G750-G900				X	X
3002740	PROPANE CONVERSION & ORIFICE KIT G120		X			
3002741	PROPANE CONVERSION & ORIFICE KIT G400			X		
3003409	ELECTRODE & IONIZATION CLAMP G750-900				X	X
3003784	SUB BASE CTRL BOX PRESS GW,1-3G G750-900				X	X
3005447	GAS PRESSURE FITTING G120-G900	X	X	X	X	X
3005788	FAN F10, M10, G400			X		
3005799	FAN F15-20, M15-20, G750-900				X	X
3005834	CAPACITOR 10 uf	X	X	X	X	X
3005845	MOTOR 120V 60HZ M,F15-20 G750 & 900				X	X
3005849	SEMI-FLANGE M,F15-20 & G750-900				X	X
3005851	UNIVERSAL MOUNTING FLANGE G750 & G900				X	X
3005852	MOUNTING GASKET G750 & G900				X	X
3005854	SEMI-FLANGE F3-10, M3-10 (3062501)	X	X	X		
3005855	UNIVERSAL MNTNG FLANGE	X	X			
3005856	MOUNTING GASKET 102MM CENTER HOLE	X	X	X		
3006356	UNIVERSAL FLANGE GAS 1			X		
3006394	END CONE GAS 120, 200	X	X			
3006687	CHASSIS MTG. COLLAR		X			
3006688	CHASSIS MTG. COLLAR			X		
3006689	CHASSIS MTG. COLLAR G750, 800, 900				X	X
3006693	END CONE: G400			X		
3006694	END CONE: G750-G900				X	X
3006695	DRAWER ASSEMBLY ELBOW G200		X			
3006696	DRAWER ASSEMBLY ELBOW G400			X		
3006697	DRAWER ASSEMBLY ELBOW G750 - G900				X	X
3006698	DISTRIBUTOR HEAD & MIXING PLATE: G120	X				
3006699	DISTRIBUTOR HEAD & MIXING PLATE: G400			X		
3006700	DISTRIBUTOR HEAD & MIXING PLATE: G750&900				X	X
3006701	NATURAL GAS ORIFICE G120	X				
3006702	NATURAL GAS ORIFICE G400 2.2			X		
3006703	NATURAL GAS ORIFICE G750 & 900				X	X
3006706	ELECTRODE ASSY LBT 15" G750-900				X	X
3006899	DISTRIBUTOR HEAD & MIXING PLATE: G200		X			
3006900	NATURAL GAS ORIFICE G200 2.0		X			
3006903	CHASSIS MTG. COLLAR	X				
3006905	DRAWER ASSEMBLY ELBOW	X				
3006929	MOTORIZED AIR DAMPER	X	X			
3006930	MOTORIZED AIR DAMPER - G400			X		

4

GAS BURNERS**Riello Gas Burner Replacement Parts**

Part No.	Description	120	200	400	750	900
3006962	ELECTRODE ASSY LBT 15" G750-900				X	X
3007204	MANUAL AIR SHUTTER F3-5, G120-200	X	X			
3007205	MANUAL AIR SHUTTER F3-5, G400			X		
3007206	MANUAL AIR SHUTTER/DAMPER MOTOR F15 G900				X	X
3007207	AIR INTAKE HOUSING F3, G120 3062504	X				
3007208	AIR INTAKE HOUSING F5, G200		X			
3007209	AIR INTAKE HOUSING F10 G400			X		
3007221	CHASSIS FRONT PLATE	X				
3007222	CHASSIS FRONT PLATE		X			
3007223	CHASSIS FRONT PLATE			X		
3007237	BURNER BACK COVER 120	X				
3007238	BURNER BACK COVER G200		X			
3007239	BURNER BACK COVER G400			X		
3007246	BURNER BACK COVER G750				X	X
3007265	ELECTRODE & IONIZATION CLAMP	X	X	X		
3007270	ELECTRODE ASSEMBLY G120	X				
3007271	ELECTRODE ASSEMBLY LONG	X				
3007273	ELECTRODE ASSEMBLY SHORT		X			
3007274	ELECTRODE ASSEMBLY LONG G200		X			
3007275	ELECTRODE ASSEMBLY SHORT G400			X		
3007276	ELECTRODE ASSEMBLY LONG G400			X		
3007279	AIR DAMPER MOTOR G120,200,400	X	X	X		
3007280	COMBUSTION HEAD CONNECTOR G120	X				
3007281	COMBUSTION HEAD CONNECTOR G200		X			
3007283	COMBUSTION HEAD CONNECTOR G750-900				X	X
3007284	AIR TUBE LONG - G120,G200	X	X			
3007285	AIR TUBE LONG - G400			X		
3007286	AIR TUBE LONG - G750-900				X	X
3007287	AIR SWITCH TUBE AND CONNECTOR	X				
3007288	AIR SWITCH TUBE & CONNECTOR G200-900		X	X	X	X
3007289	NATURAL GAS TUBE-LONG - G120-200	X	X			
3007290	NATURAL GAS TUBE-LONG - G400			X		
3007291	AIR PLATE COVER	X				
3007292	AIR PLATE COVER		X			
3007293	AIR PLATE COVER G400			X		
3007294	AIR PLATE COVER G750 -G900				X	X
3007295	MANIFOLD LONG G120	X				
3007296	MANIFOLD SHORT G120	X				
3007298	MANIFOLD LONG G200		X			
3007299	MANIFOLD SHORT G400			X		
3007300	MANIFOLD LONG G400			X		
3007303	ELECTRODE SUPPORT LONG	X	X	X		
3007307	CAPACITOR 20 UF G750 - G900				X	X

Part No.	Description	120	200	400	750	900
3007310	IONIZATION LEAD G120-900	X	X	X	X	X
3007313	NATURAL GAS TUBE G750-900				X	X
3007314	ELECTRODE SUPPORT G750-900				X	X
3007421	AIR DAMPER PLATE				X	X
3007448	GROUND LEAD & CONNECTION G12-400 (PKG10)	X	X	X		
3007521	BURNER BACK COVER G750 & 900				X	X
3007523	AIR DAMPER SERVO MOTOR G900				X	X
3007525	MANIFOLD - SBT G750 & 900				X	X
3007526	MANIFOLD - LBT G750 - 900				X	X
3013072	PRIMARY CONTROL RMG88 G750 - G900				X	X
3020203	IONIZATION ASSEMBLY SHORT G120	X				
3020204	IONIZATION ASSEMBLY LONG G120	X				
3020205	IONIZATION ASSEMBLY SHORT G200		X			
3020206	IONIZATION ASSEMBLY LONG G200		X			
3020207	IONIZATION ASSEMBLY SHORT G400			X		
3020208	IONIZATION ASSEMBLY LONG G400			X		
3020209	IONIZATION ASSEMBLY SHORT G750 -900				X	X
3020210	IONIZATION ASSEMBLY 17' LONG G750-900				X	X
3020226	NG ORIFICE KIT G120	X				
3020228	NG ORIFICE KIT G200		X			
3020229	NG ORIFICE KIT G400			X		
3020321	AIR SWITCH G120-G900	X	X	X	X	X
3950171	SHORT COMBUSTION HEAD	X				
3950172	LONG COMBUSTION HEAD	X				
3950271	SHORT COMBUSTION HEAD		X			
3950272	LONG COMBUSTION HEAD		X			
3950371	SHORT COMBUSTION HEAD			X		
3950372	LONG COMBUSTION HEAD			X		
3950471	SHORT COMBUSTION HEAD				X	X
3950472	LONG COMBUSTION HEAD				X	X
20087920	509SE TO RMG** CONVERSION KIT				X	X
C5850004	HONEYWELL 24V GAS VALVE VR8205A2008	X				
C5850442	HONEYWELL 24V GAS VALVE VR8305M2102		X			
C5850443	HONEYWELL 24V GAS VALVE VR8205A2003			X		
C7001031	FAN	X	X			
C7001034	MOTOR	X	X	X		
C7002006	TRANSFORMER - G400			X		
C7003007	CSD-1KIT G750 - G900				X	X
C7003008	CSD-1KIT G400			X		
C7010003	MOUNTING BRACKET - TRANSFORMER	X	X	X		
C7020005	C7020005 - TRANSFORMER	X	X			
C7020006	TRANSFORMER - G400			X		
C702002	BUSS FUSE 6.25 AMP G750-900				X	X

4 GAS BURNERS

Wayne Power Gas Burners & Replacement Parts

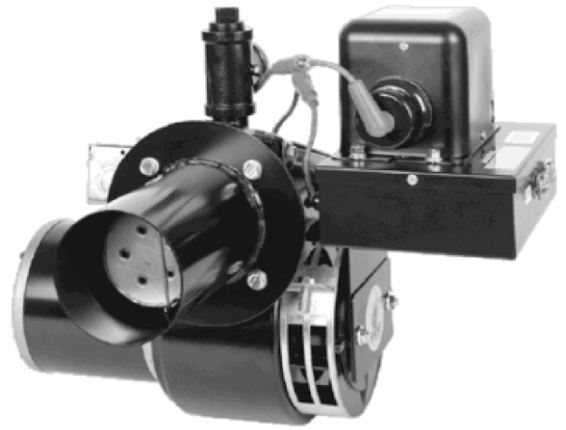
EHG Series

(425,000 to 700,000 btu/h)

Burners Complete with:

- Air Tubes available with 6", 9", 12" or 15"
- Honeywell Gas Valve
- Honeywell S89F Primary Control & Direct Spark Ignitor
- Fires Natural Gas or Propane

Order No.	Description
W63543-001	EHG Gas Burner with 6" Tube & Train
W63544-001	EHG Gas Burner with 9" Tube & Train
W63545-001	EHG Gas Burner with 12" Tube & Train
W63546-001	EHG Gas Burner with 15" Tube & Train



The Wayne Model EHG power gas burners offer features such as:

- Higher static pressure than standard power gas burners
- Good combustion in poor draft situations
- Flame retention head to allow flame shapes to fit various combustion chambers
- Partial premix head design to provide excellent combustion characteristics (9 to 11% CO2 on Natural Gas)

Light Commercial Power Gas Burners

LC1500 (700,000 to 1,500,000 btu/h)

LC2300 (1,100,000 to 2,300,000 btu/h)

Burners Complete with:

- Air Tube for LC1500: 5-3/4" dia. X 6" long
- Air Tube for LC2300: 6-1/4" dia. X 9" long
- Gas Train: Choice of UL795, CSD1, NFPA, FM of GAP/IRI components

Order No.	Model No.	Agency Approval	Control System
W63746-001	LC1500	UL795	Hon S89F
W63772-001	LC1500	UL795/CSD-1	RM7895
W63765-001	Gas Train LC1500 - UL795		
W63865-001	LC2300	UL795	Hon S89F
W63867-001	LC2300	UL795/CSD-1	RM7895
W63768-001	Gas Train LC2300 - UL795		



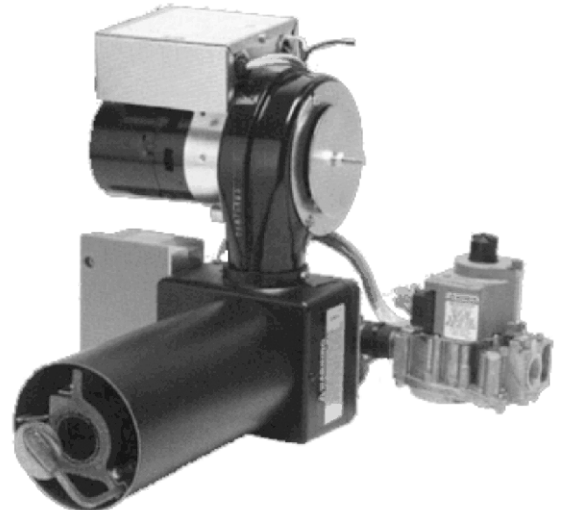
Direct Ignition Gas Burners

P265/P265F (65,000 - 200,000 btu/hr)

Burners Complete with:

- Air Tubes available in 5", 8" or 11" Lengths
- Honeywell 1/2" Gas Valve & Direct Spark Ignition
- Fires Natural Gas or Propane

Order No.	Description	Fuel	Insertion Depth
W63365	P250AF 8" DI	LP	7 1/8"
W63366	P250AF 8" DI	NG	7 1/8"
W63367	P265F 5" DI	LP	3-1/2"
W63368	P265F 5" DI	NG	3-1/2"
W63369	P265F 8" DI	NG	6-1/2"
W63370	P265F 11" DI	LP	9-1/2"
W63371	P265F 11" DI	NG	9-1/2"
W63388	P265F BB 8.25"	NG	6-3/8"



Wayne Power Gas Burners & Replacement Parts

HSG 200

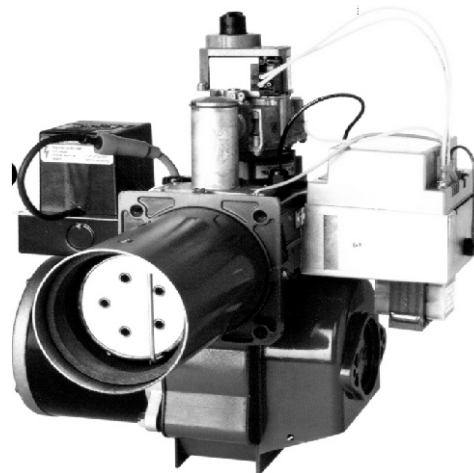
(60,000 to 200,000 btu/h)

Burners Complete with:

- Air Tubes available in 6", 9" or 12"
- Honeywell 1/2" x 1/2" Gas Valve
- Honeywell S89F Primary & Direct Spark ignitor
- Fires Natural Gas or Propane

HSG 400

(200,000 to 400,000 btu/h)



Order No.	Description
W62376C	HSG200 Gas Burner with 6" Tube
W62378C	HSG200 Gas Burner with 9" Tube
W62380C	HSG200 Gas Burner with 12" Tube
W62377C	HSG400 Gas Burner with 6" Tube
W62379C	HSG400 Gas Burner with 9" Tube
W62381C	HSG400 Gas Burner with 12" Tube

Wayne Power Gas Burners Replacement Parts

Part No.	Description	HSG 200	HSG 400	P265 F	P250 AF	EHG	LC 1500	LC 2300
W100371-KIT	Kit-Off Cycle Damper	X	X					
W100373-Kit	Kit-HSG Primary Damper	X	X					
W100428-002	Flange Gasket	X	X	X	X	X		
W100900-200	Motor Replacement Kit (Replaces 1/12HP Motor)	X						
W100900-400	Motor Replacement Kit (Replaces 1/12HP Motor)		X					
W101243-001	Ignition Control - "DI" Series			X	X			
W20627	1/7HP 120V 50/60Hz 2850/3450RPM 48M FRAME	X	X					
W21642	Fan - 2.00"W X 5.50"D		X					
W21664	Fan - 1.92"W X 5.25"D	X						
W21724-011	Adjustable Flange with Gasket	X	X	X	X	X		
W21760-001	Base (pedestal) Package (inc. Burner adapter flange)	X	X	X	X	X		
W21854	Fan - 4.00"W X 6.25"D					X		
W24005-001	Motor - 1/4-1/5HP 120V/60Hz 3450RPM PSC					X		
W550052	Fitting, Hose Barb - 1/4" Straight for Vinyl pressure sensing switch						X	X
W60172-002	Motor/Blower Assembly			X	X			
W60186-004	Transformer - 120V/50-60Hz, 24V/30VA	X	X	X	X	X	X	X
W60270-002	Gas Valve, NAT - Standing Pilot Series			X	X			
W61403	Venturi Sub Assembly "EP" & Standing Pilot Series			X				
W61637-004	Venturi Sub Assembly - "DI" Series			X				
W61803	Control Box ASM (Inc. Motor Relay, Transformer and Cover)			X	X			
W61817	Venturi Sub Assembly				X			
W61818	Flamespreader ASM				X			
W61875	Motor/Blower w/Control Box ASM			X	X			
W61951-001	Electrode/Sensor Probe Support Parts Kit (Inc. Support, Clip, Bushings, Fasteners)	X	X					
W61951-002	Electrode/Sensor Probe Support Parts Kit (Inc. Support, Clip, Bushings, Fasteners)					X		

4 GAS BURNERS

Wayne Power Gas Burners & Replacement Parts

Part No.	Description	HSG 200	HSG 400	P265 F	P250 AF	EHG	LC 1500	LC 2300
W62243-003	Ignition Control - "EP" Series			X	X			
W62246-004	Gas Valve, NAT - "EP" Series			X	X			
W62256-004	Gas Valve, LP - "EP" Series			X	X			
W62261	Electrode and Sensor Probe ASM				X			
W62261-002	Electrode & Sensor Probe ASM - "DI" Series			X				
W62374-004	Gas Valve (Honeywell VR8305M4801) (All HSG & P250AF & P265F "DI" Series NAT only)	X	X	X	X			
W62374-PRO	Gas Valve, LP - "DI" Series			X	X			
W62390-002	Sensor Probe ASM (All HSG & EHG 9", 12", 15")	X	X			X		
W62390-003	Sensor Probe ASM - EHG 6"					X		
W62391-002	Electrode ASM (All HSG & EHG 9", 12", 15")	X	X			X		
W62391-003	Electrode ASM - EHG 6"					X		
W62402-KIT	HSG Orifice Housing Kit (inc. Orifice housing, cap, spring & gasket)	X	X					
W62406-002	Motor Relay (Replaces 100983-002)	X	X	X	X	X	X	X
W62406-003	Relay - 24VAC/50-60Hz (Valve)					X		
W62407-001	Ignition Transformer - 120V/60Hz (Franceformer)	X	X				X	X
W62411-028	Sensor Wire ASM - HSG 6" Tube Units	X	X					
W62411-030	Sensor Wire ASM - HSG 9" & 12" Tube Units	X	X					
W62459-001	Orifice Package (Nat & LP Gas all Ranges)	X	X					
W62459-002	Orifice Package (Nat & LP Gas all Ranges)	X	X					
W62460-KIT	Electrode/Sensor Kit (Inc. Electrode, Sensor Probe, Support ASM & Wires)	X	X					
W62506-002	Gas Valve, LP - Standing Pilot Series			X	X			
W62758-002	Ignition Control (Honeywell S89E1058) Bakery	X	X					
W62759-002	Ignition Control (Honeywell S89F1098) Standard	X	X			X	X	X
W62790-001	Ignition Control Retrofit Kit (Convert S89A)	X	X					
W62909-001	Electrode Wire ASM - HSG 6" Tube Units	X	X					
W62909-003	Electrode Wire ASM - HSG 9" & 12" Tube Units	X	X					
W62909-003	Ignition Wire Assembly - 14"						X	X
W62909-004	Ignition Wire Assembly - 22"						X	X
W62947-003	Ignition Wire - "DI" Series			X	X			
W62955-001	Conversion Kit - Nat to LP Gas			X	X			
W62956-001	Conversion Kit - LP to Nat Gas			X	X			
W63062-001	Burner Pilot, NAT "EP" Series			X	X			
W63226-001	Piezo electric Pilot Ignitor Kit				X			
W63227-001	Piezo electric Pilot Ignitor Kit			X				
W63228-001	Burner Pilot, NAT Standing Pilot Series			X	X			
W63262-003	Regulator, Gas Pressure, 1" Maxitrol RV61					X		

4 GAS BURNERS

Carlin Power Gas Burners

EZ-Gas

Power Gas Burner

(50,000 to 250,000 btu/hr)

Burner Complete With:

Chassis, control, ignitor, motor, air tube/combustion head and gas valve. Also includes cover if ordered with one. When ordering please specify which diffuser required.



Features:

- Available with or without a burner cover.
- Converts from Natural Gas to Propane with just an orifice change. No conversion kit required.
- Time-tested Carlin Ignition and Control system.
- Does not require a refractory liner – fires with or without a combustion chamber.

Available with or without a burner cover. The EZ-Gas burner converts from propane to natural gas with just an orifice change - no conversion kit needed. Factory packed with combustion control and gas fuel train. Does not require a refractory liner - fires with or without a combustion chamber. Proven in extensive boiler and furnace testing, these burners will meet your needs for residential gas burning applications.

Video Overview available at www.wardheating.com

Order Number	Description
--------------	-------------

EZ-Gas Burners with Air Tube & Flange	
C9859210BFR1	EZ-Gas Natural/Propane 10" Air Tube B Diffuser
C9859210AFR1	EZ-Gas Natural/Propane 10" Air Tube A Diffuser
C9859212BFR1	EZ-Gas Natural/Propane 12" Air Tube B Diffuser
C9859212AFR1	EZ-Gas Natural/Propane 12" Air Tube A Diffuser
C9859214BFR1	EZ-Gas Natural/Propane 14" Air Tube B Diffuser
C9859214AFR1	EZ-Gas Natural/Propane 14" Air Tube A Diffuser

Optional Equipment

C23317BLUS	Pedestal Mounting
RESCVR5S	Cover Kit-Gas

Includes: cover, back plate, mounting hardware & 8" field drilled orifice

Note: B Diffuser is 50,000 to 175,000 btu/hr A Diffuser is 150,000 to 275,000 btu/hr

Power Gas Burners

201 GAS

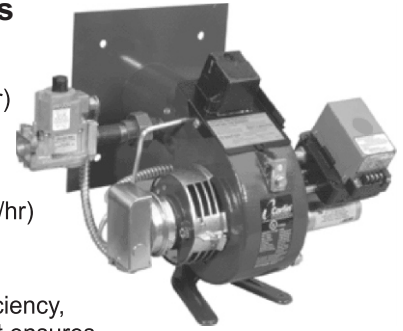
(150,000 to 300,000 btu/hr)

301 GAS

(401,000 to 1,100,000 btu/hr)

Features:

Burners create a high-efficiency, compact flame design that ensures clean, quiet operation. Dependable, direct-spark ignition of main flame for quick, clean light-offs. Fires in negative or positive chambers. Offers swing-away flanged door design.



Order Number	Description
--------------	-------------

201GAS Burners with Air Tube & Flange	
C9859308	201GAS Natural/Propane 8" Air Tube & Flange
C9859310	201GAS Natural/Propane 10" Air Tube & Flange
C9859312	201GAS Natural/Propane 12" Air Tube & Flange
C9859314	201GAS Natural/Propane 14" Air Tube & Flange
C9859316	201GAS Natural/Propane 16" Air Tube & Flange

Optional Equipment

C23358BLUS	Pedestal Mounting
	Dual Valves & RV Regulator

Note: 201GAS fires both Natural Gas / Propane without a conversion kit, Please confirm tube length & diffuser.

Choose from: "C" Diffuser 150,000 to 215,000 btu/hr
 "B" Diffuser 215,000 to 300,000 btu/hr
 "A" Diffuser 300,000 to 399,000 btu/hr

Order Number	Description
--------------	-------------

Standard 301GAS Burner	
C9931214LFR	301GAS NG/LP 14" Air Tube (401,000 - 700,000)
C9931214MFR	301GAS NG/LP 14" Air Tube (401,000 - 1,100,000)
C9931214HFR	301GAS NG/LP 14" Air Tube (550,000 - 1,100,000)

Low Pressure Gas Trains - Add to Above

Low Gas Pressure - 1-1/4" Up to 800,000 BTUH
Low Gas Pressure - 1-1/2" Up to 950,000 BTUH

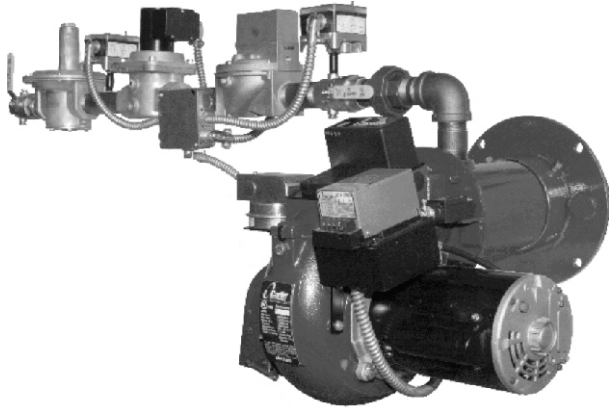
Optional Equipment

C23358BLUS	Pedestal Mounting
------------	-------------------

Note: 301GAS fires both Natural Gas / Propane without a conversion kit

Wayne Power Gas Burners & Replacement Parts

Part No.	Description	HSG 200	HSG 400	P265 F	P250 AF	EHG	LC 1500	LC 2300
W63263-005	Air Pressure Switch - Switch Only	X	X			X	X	
W63263-007	Air Pressure Sending Switch Only							X
W63272-005	Air Pressure Switch Retrofit Kit	X	X					
W63375-001	Wiring Harness - "DI" Models			X	X			
W63497-001	Sensor Wire 24" - EHG 12" & 15" Tube Units					X		
W63497-002	Sensor Wire 12" - EHG 6" & 9" Tube Units					X		
W63499-001	Sensor Wire - 10"					X		
W63503-002	Valve, Manual Ball - 1"					X		
W63504-001	Valve, Gas Shut-Off 1" 120V					X		
W63513-001	Switch, Gas Pressure - Low					X		
W63513-002	Switch, Gas Pressure - High					X		
W63581-001	Pressure Tap Connector						X	X
W63589-002	Control Box w/Cover						X	X
W63599-001	Motor - 1/2HP 120V/50-60Hz w/Bracket						X	
W63743-001	Sensor Wire - 13"						X	X
W63745-001	Switch, Rocker On/Off						X	X
W63770-002	Ignition Control (Honeywell RM7897, 4 Sec Ignition Timing)						X	X
W63771-001	Sub-Base Wiring (Honeywell 7800B1011)						X	X
W63773-001	Amplifier, Flame Rectification (Honeywell R7847A1033)						X	X
W63774-001	Timer, Purge (Honeywell ST7800A1039)						X	X
W63793-001	Motor - 3/4HP 120V/50-60Hz w/Bracket							X
W63800-001	Fan						X	
W63800-002	Fan							X
W63801-001	Tube, Air - Standard Steel						X	
W63801-002	Tube, Air - Standard Steel							X
W63804-001	Electrode						X	
W63805-001	Sensor Probe						X	
W63806-001	Electrode							X
W63807-001	Sensor Probe							X
W63811-001	Nozzle Assembly Complete						X	
W63817-001	Gasket, Flange						X	
W63856-SER	Adaptive Mounting Flange Kit						X	
W63873-001	Ignition Transformer - 120V/50-60Hz					X		
W63922-001	Barbed Fitting - 90' (For Air pressure Switch Tubing)					X		
W63992-001	Sense Loop Rod							X
W63995-001	Ignition Wire 18" - EHG 6" & 9" Tube Units					X		
W63995-002	Ignition Wire 24" - EHG 12" Tube Units					X		
W63995-003	Ignition Wire 32" - EHG 15" Tube Units					X		
W64042-001	Gasket, Flange							X
W64365-SER	Adaptive Mounting Flange Kit						X	

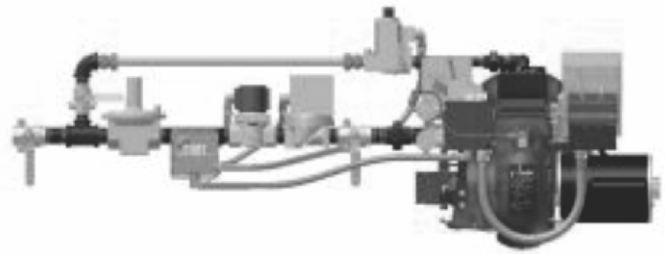


Light Commercial Gas Burners

601GAS Burner (700,000 to 1,500,000 btu/hr) **702GAS Burner** (840,000 to 1,600,000 btu/hr)

601GAS & 702GAS Features:

Burners create a high-efficiency, compact flame design that ensures clean, quiet operation. Dependable, direct-spark ignition of main flame for quick, clean light-offs. Fires in negative or positive chambers. Offers swing-away flanged door design. Factory-packaged with combustion control and gas train. Does not require a refractory liner – fires with or without a combustion chamber.



Carlin 702 G/O Combination Gas/Oil Burner

702 G/O Burner
 (840,000 to 1,600,000 btu/hr)

702 Combination Gas/Oil Features:

The **702G/O** advanced combination gas/oil burner features Carlin's adjustable combustion head assembly – for unmatched fuel/air mixing, smooth light-offs and quiet running. The automatically-closed air damper and low-high-low step modulation (approx 1.7 : 1 turndown) improve efficiency by closer matching of output to demand. This typically saves 15 to 20% in seasonal fuel usage when compared with single-stage flame retention burners.

- Simple adjustments of the air shutter and combustion head, set with Carlin's easy-access screw adjustment.
- Burners use standard components, including Carlin electronic ignitor and standard primary control.
- Blower access cover allows full view of blower compartment.
- Compact flame for maximum versatility.
- Can operate in forced draft applications (up to 0.60 inches W.C. positive pressure).
- Made with rugged cast aluminum housing.

Order Number Description

Standard 601GAS Burner	
C9952014LFR	601GAS NG/LP 14" Air Tube (700,000 - 1,000,000)
C9952014MFR	601GAS NG/LP 14" Air Tube (800,000 - 1,050,000)
C9952014HFR	601GAS NG/LP 14" Air Tube (900,000 - 1,500,000)

Low Pressure Gas Trains - Add to Above Prices

	Low Gas Pressure - 1-1/2" Up to 1,137,000 BTUH
	Low Gas Pressure - 2" Up to 1,400,000 BTUH

Standard 702GAS Burner

C50065V50	702GAS Standard Chassis Only
C99743B	Standard 1-1/4" Gas Train Up to 1,200,000 btu/hr
C73007A	Propane Orifice
C73007	Natural Gas Orifice

Optional Equipment

C23382BLU1	Pedestal Mounting for 601GAS & 702GAS
------------	---------------------------------------

Note: 601GAS fires both natural & propane without a conversion kit
 702GAS fires both NG & LP without a conversion kit. Only need to change pilot orifice

Order Number Description

702G/O Combination Gas/Oil Burner	
C99445V50	702G/O Standard Chassis Only
C99743B	Standard 1-1/4" Gas Train Up to 1,200,000 btu/hr
C73007A	Propane Orifice
C73007	Natural Gas Orifice

Optional Equipment

C23382BLU1	Pedestal Mounting for 601GAS & 702GAS
C23382REDS	Pedestal Mounting for 702G/O

702G/O fires both NG & LP without a conversion kit. Only need to change pilot orifice

4 GAS BURNERS

Carlin Power Gas Burners

Part No.	Description	EZGAS PRO	EZ- GAS	201 GAS	202 GAS	301 GAS	601 GAS	702G/O 702GAS
Blower Wheels & Fans								
C77933S	Blower Wheel	X	X					
C28563S	Blower Wheel			X	X	X		
C98857S	Blower Wheel						X	X
Combustion Head Assemblies								
C99164	Combustion Head Assembly, B Head					X		
C99277	Combustion Head Assembly, C Head					X		
C99294	Combustion Head Assembly, 11"						X	
C99535	Combustion Head Assembly, 12"						X	
C57810	Combustion Head Assembly, 14"							X
Electrodes								
C98433A	Electrode for 10" EZGAS & 8" 201/202GAS		X	X	X			
C98433B	Electrode for 12" EZGAS & 10" 201/202GAS		X	X	X			
C98433C	Electrode for 14" EZGAS & 12" 201/202GAS		X	X	X			
C98433D	Electrode for 16" EZGAS & 14" 201/202GAS		X	X	X			
C98433E	Electrode for 18" EZGAS & 16" 201/202GAS		X	X	X			
C50873A	Electrode for 10" EZGas Pro	X						
C50873B	Electrode for 12" EZGas Pro	X						
C50873C	Electrode for 14" EZGas Pro	X						
C50873D	Electrode for 16" EZGas Pro	X						
C50873E	Electrode for 18" EZGas Pro	X						
C99158	Spark Electrode					X		
C99292	Spark Electrode Left						X	
C99293	Spark Electrode Right						X	
C98507	Spark Electrodes (Set of 2 L & R)							X
Flame Rods & Wires								
C98434A	Flame Rod for 10" EZGAS & 8" 201/202GAS		X	X	X			
C98434B	Flame Rod for 12" EZGAS & 10" 201/202GAS		X	X	X			
C98434C	Flame Rod for 14" EZGAS & 12" 201/202GAS		X	X	X			
C98434D	Flame Rod for 16" EZGAS & 14" 201/202GAS		X	X	X			
C98434E	Flame Rod for 18" EZGAS & 16" 201/202GAS		X	X	X			
C50874A	Flame Rod for 10" EZGas Pro	X						
C50874B	Flame Rod for 12" EZGas Pro	X						
C50874C	Flame Rod for 14" EZGas Pro	X						
C50874D	Flame Rod for 16" EZGas Pro	X						
C50874E	Flame Rod for 18" EZGas Pro	X						
C99161	Flame Rod					X	X	
CEZGFRWIRE	Flame Rod Wire 13"	X	X					
C20GFRWIRE	Flame Rod Wire 16"			X	X			
C30GFRWIRE	Flame Rod Wire 24"					X	X	
C99477	Ignition Wire 14 ½"						X	

Part No.	Description	EZGAS PRO	EZ- GAS	201 GAS	202 GAS	301 GAS	601 GAS	702G/O 702GAS
Flanges								
C50833AS	Mounting Flange Sealed	X	X					
C59642BLU	Mounting Flange			X	X			
C99255	Forced Draft Mounting Flange					X	X	
Gaskets								
C40287	Universal Gasket			X	X			
C50821	Gasket for EZGas Pro	X	X					
C99260	Gas Manifold Gasket 1"					X	X	
C99430	Gas Manifold Gasket 1-1/4"						X	
C40246	Universal Gasket for Forced Draft Flange							X
Gas Valves								
C98523	Gas Vave VR4305M-4540		X	X				
C50824	Gas Valve VR8305M 24V	X						
Motors								
C98629S	1/15HP, 120V, 60Hz, 48M Frame	X	X					
C98611S	1/6HP, 120V, 60Hz, 48N Frame			X	X	X		
C27706S	1/2HP, 115/230V, 60Hz, 1 Phase, 3450RPM						X	X
Primary Controls								
C99766	Primary Control RM7897C							X
C6020002 FR363S	Primary Control, Carlin Flame Rod Control	X	X	X	X			
C6020002 FR943S	Primary Control, Carlin Flame Rod Control					X	X	
Airflow Switches								
C98522	Airflow Switch		X					X
C50806	Airflow Switch	X						
C98521	Airflow Switch			X	X	X	X	
Miscellaneous Parts								
C4180002S1	120V Ignitor - Single Pole Secondary	X	X					
C4180002S2	120V Ignitor - Single Pole Secondary			X	X			
C4180002S	120V Ignitor - Single Pole Secondary					X		
C41000SOLC	Ignitor/Base for Carlin						X	X
C98498	Cover Plate w/Hinge for Carlin Ignitor	X	X					
C98534	Cover Plate w/Hinge for Carlin Ignitor			X	X	X		
C4102000CLC	Baseplate Kit for 41000 Ignitor						X	X
C23135S	Electrode Bracket with Hardware			X	X			
C99154	Electrode/Flame Rod Bracket Assembly					X	X	
C99155	Electrode/Flame Rod Small Bracket Assembly						X	
C508089KIT	Full Firing Rate Kit	X						
C50822	Transformer 120/24	X						

Many More Parts Available, Including: Air Bands, Gas Train Parts, Air Shutters & More, Call Us for More Information

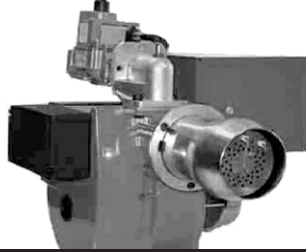
4 GAS BURNERS

Heat Wise Power Gas Burners Parts

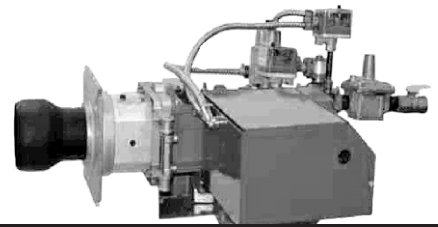
SU-2A Power Gas Burner
(50,000 - 250,000 btu/h)
SU-3 Power Gas Burner
(199,000 to 400,000 btu/h)



SU-4A Power Gas Burner
(300,000 - 500,000 btu/h)
SU-4 Power Gas Burner
(300,000 - 550,000 btu/h)



SU-5 Power Gas Burner
(400,000 to 730,000 btu/h)
SU-6 Power Gas Burner
(750,000 to 1,400,000 btu/h)



NOTE! Heat Wise Gas Burners are **No Longer Available**. Information provided for reference purposes **ONLY**.

Order No.	Electrodes, Ignition & Ionization Cables	SU-2A	SU-3	SU-4	SU-5	SU-6
HW11534708	Ignition Electrode for SU-2A	X				
HW11534707	Flame Rod for SU-2A	X				
HW11534704	Ignition Electrode for SU-3/SU-4		X	X		
HW11534703	Flame Rod for SU-3/SU-4		X	X		
HW11556201	Ignition Electrode SU-5 Standard 5" Tube				X	
HW11905106	Ignition Electrode SU-5 Long 9" Tube				X	
HW11556202	Flame Sensor SU-5 Standard 5" Tube				X	
HW11905105	Flame Sensor SU-5 Long 9" Tube				X	
HW11901402	Ionization Cable	X	X	X	X	
HW11901402-14	Ionization Cable - Long Tube		X	X	X	
HW2260-GTO	Ignition Cable for 2260-TP	X				
HW11865804	Ionization Cable for SU-6					X
HW28087	Ignition Electrode for SU-6					
HW28170	Flame Rod for SU-6					X
Order No.	Safety Controls & Transformers					
HW S89F	S89F Control with 30 Pre-Purge (See W62759-002)	X	X	X	X	X
HW2466H	Fenwal Gas Primary Control	X	X	X		
HW 2440VA	24V Transformer (see HCT-01E0K)	X	X	X		
HWAT175A1008	24V Transformer (see HCT-0514L)				X	X
HW 2260-TP	Allanson Low Profile Ignition Transformer	X	X	X	X	X
HW 5SAY	France Ignition Transformer (See W62407-001)	X	X	X	X	X
Order No.	Gas Valves					
HW VR8205A	Gas Valve 1/2" for SU-2A (see B VR8345M3202)	X				
HW VR8305	Gas Valve 3/4" for SU-3/SU-4 (See W62374-004)		X	X		
HW217-322	Dungs Gas Valve 1" 24 Volt (46031-4)				X	X
HW C6097A	Honeywell C6097A Low Pressure Gas Switch				X	X
HW C6097B	Honeywell C6097B Hi Pressure Gas Switch				X	X
Order No.	Burner Motors					
HW D821232	1/6HP PSC Burner Motor	X	X	X	X	
HW 775079	1/2HP Burner Motor					X
Order No.	Blast Tubes					
HW11728410	SU-2A Blast Tube Standard (3-1/2")	X				
HW11728403	SU-2A Blast Tube Long (7-7/8")	X				
HW1175170505	SU-3/SU-4 Blast Tube (5-1/4")		X	X		
HW11750605	SU-3/SU-4 Blast Tube (9")		X	X		
HW11751707	SU-3/SU-4 Blast Tube (14")		X	X		
HW1175180105	SU-5 Blast Tube 5-1/8"				X	
HW1175180305	SU-5 Blast Tube 9"				X	
HW11751801	SU-6 Blast Tube					X

Order No.	Flanges & Gaskets					
HW123005	Standard/Machined Flange Gasket	X				
HW42303	Flange Gasket	X				
HW11811601	Flange - Standard	X				
HW122805	Gasket for Fixed Flange (HW 10195-1)		X	X		
HW11904001	Fixed Flange (HW 10195)		X	X		
HW11891502	Mounting Flange for SU-6					X
HW092302	Gasket for Mounting Flange SU-6					X
Order No.	Fan Wheels					
HW11417601	Fan Wheel - 120mm	X				
HW1147604	Fan Wheel - 108mm	X				
HW11417063	Fan Wheel - 97mm	X				
HW11872601	Fan Wheel - 146mm		X	X	X	
HW11277621	Fan Wheel (see W63800-001)					X
Order No.	Miscellaneous Parts					
HW ES2057	Air Flow Switch (see HW 6041A)	X	X	X	X	X
HW11849601	Shielding Plate Housing	X				
HW11863201	Shielding Plate Housing		X	X		
HW91859107	Outside Air Boot	X	X			
HW11900240227	Front Piece - Housing		X	X		
HW1186480627	Rear Piece - Housing		X	X		
HW91879302	Silencer (Standard) for SU-2A	X				
HW1198490105	Silencer (Standard) for SU-3/SU4		X	X		
HW11852201	Air Regulation Plate for SU-2A	X				
HW11867401	Air Regulation Plate for SU-3/SU-4		X	X		
HW11851001	Air Damper for SU-2A	X				
HW11867501	Air Damper for SU-3/SU-4		X	X		
HW91827501	Air Damper Kit SU-5					X
HW11912901	Adjustment Screw - Nozzle Line	X				
HW11848501	Air Regulation Adjustment Screw	X				
HW11887001	Cover Plate - Air Regulation	X				
HW11887401	Cover Plate - Air Regulation		X	X		
HW11887302	Cover Plate - Nozzle Assembly	X				
HW11939701	Retention Head for SU-2A	X				
HW 11938501	Retention Head (less electrodes)		X	X		
HW 11396401	Union for SU-2A	X				
HW1136401	Union for SU-3/SU-4		X	X		
HW11556701	Gas Flange	X				
HW 11969902	Gas Flange - Tapped		X	X		
HW11883101	Black Gasket	X				
HW11316835	Black O-Ring	X				
HW971713201	Fan Housing SU-5					
HW11804403	Inner Assembly SU-5 Long Tube					X
HW11804401	Inner Assembly SU-5 Short Tube					X
HW11828701	Nozzle Assembly Complete for SU-6					X
HW11891002	Screw, Fixing Flange & Nozzle Assembly					X
HW11701501	Knob, Air Control Adjustment					X
HW11819602	Damper, Air Blade for SU-6					X
HW1189750105	Cover, Fan Housing for SU-6					X
HW11708001	Cover, Inspection Glass for SU-6					X
HW11708101	Glass, Inspection Lens for SU-6					X

Note: Availability as at January 2016. Subject to change. Please confirm availability. Shaded parts are unavailable