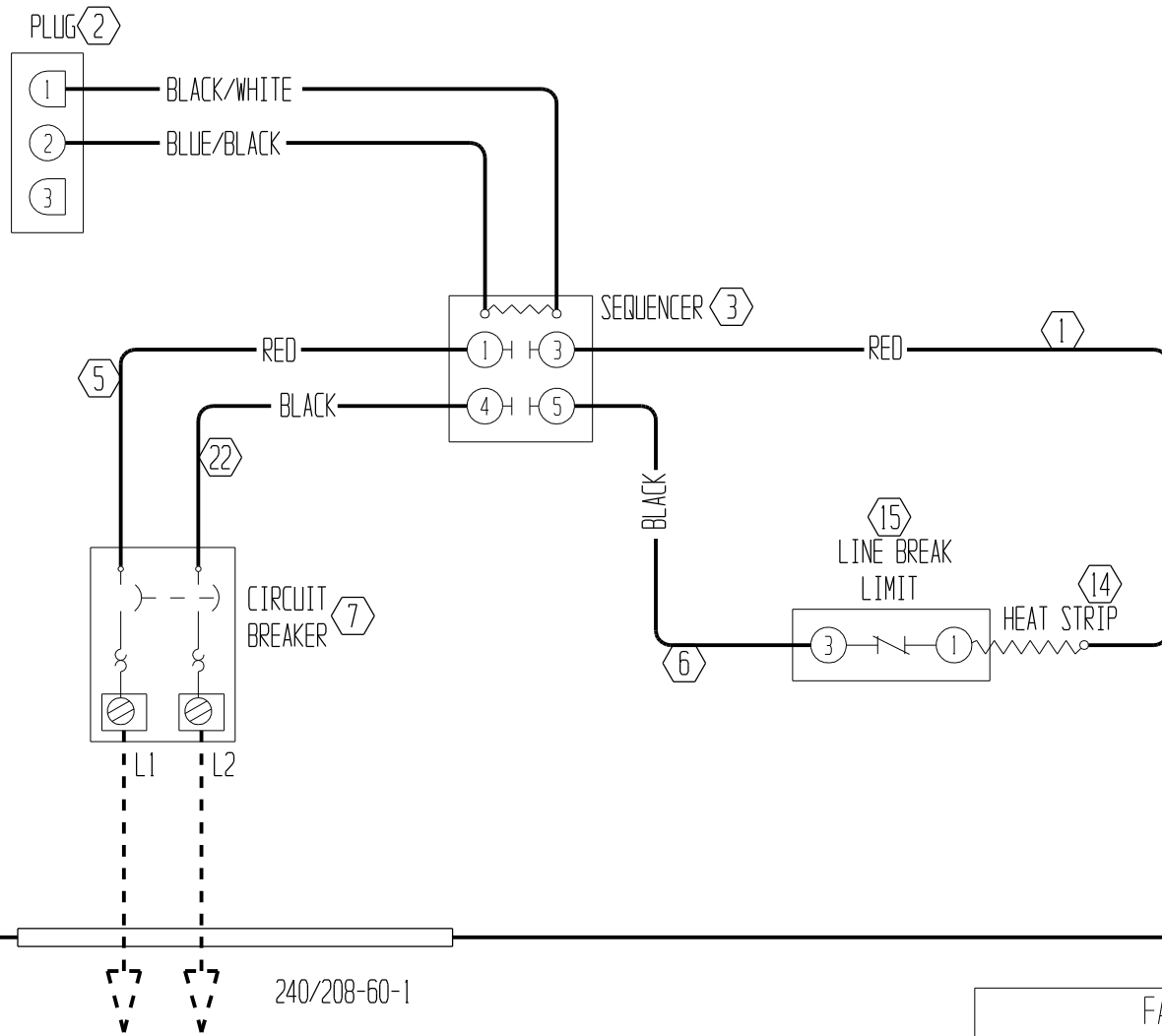


CONNECTION DIAGRAM

DANGER: ELECTRICAL SHOCK HAZARD.
DISCONNECT POWER BEFORE SERVICING.



NOTE: REFER TO THE HEATER PACKAGE INSTRUCTIONS FOR PROPER INSTALLATION

	FACTORY WIRING	FIELD WIRING
Low Voltage	—————	- - - - -
High Voltage	—————	- - - - -

USE COPPER CONDUCTORS ONLY SUITABLE FOR AT LEAST 75°C

LADDER DIAGRAM

