
REPLACEMENT PARTS MANUAL

GROUND SOURCE HEATER PACKAGE

Models:

EH3GSVA-A05C

EH3GSVA-A09C

EH3GSVA-A14C

EH5GSVA-A09C

EH5GSVA-A14C

EH5GSVA-A18C

General Notes

- Revised and/or additional pages may be issued from time to time.
- A complete and current manual consists of pages shown in the following contents section.

Contents

<i>Description</i>	<i>Page</i>
Functional Components	
♦ Exploded View	2
♦ Usage List	3

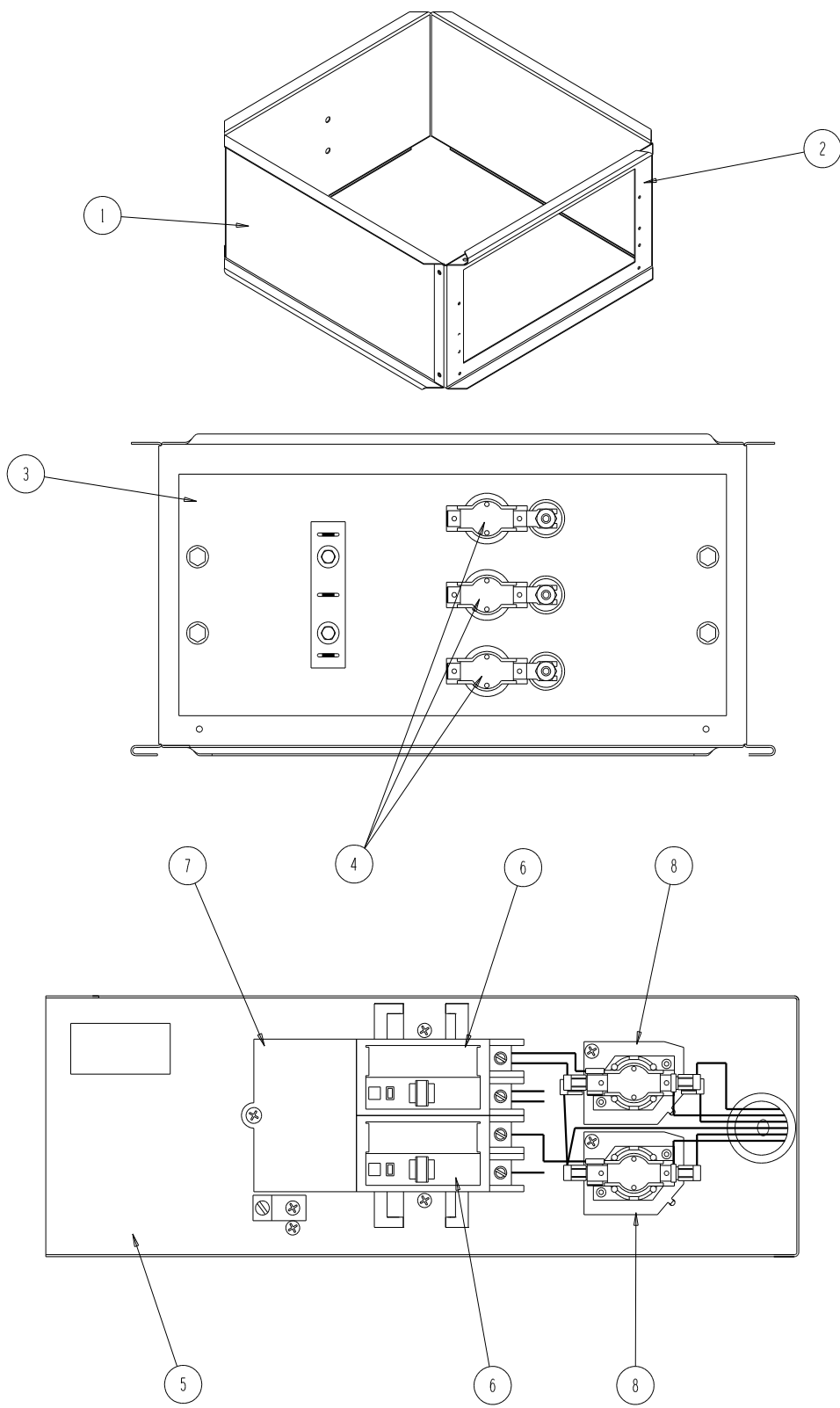
Important

- Contact the installing and/or local distributor for all parts requirements. Make sure you have the complete model and serial number available from the unit rating plates.

BMC, Inc.
Bryan, Ohio 43506

Manual: 2110-155A
Supersedes: 2110-155
Date: 10-23-14

FUNCTIONAL COMPONENTS



MIS-1244

FUNCTIONAL COMPONENTS

Drawing No.	Part No.	Description	EH3GSVA-A05C	EH3GSVA-A09C	EH3GSVA-A14C	EH5GSVA-A09C	EH5GSVA-A14C	EH5GSVA-A18C
1	116-223	Heater Package Wrapper	X	X	X			
1	116-256	Heater Package Wrapper				X	X	X
2	116-225	Heater Package Front	X	X	X			
2	116-255	Heater Package Front				X	X	X
3	8604-092	4.5 KW Heat Strip 240V	X					
3	8604-093	9KW Heat Strip 240V		X		X		2
3	8604-114	14KW Heat Strip 240V			X		X	
4	8402-056	Limit Control L150-3.5	1	2	3			
4	8402-155	Limit Control L180-3.5				2	3	4
5	517-228	Heater Package Control Panel	X	X	X	X	X	
5	517-366	Heater Package Control Panel						X
6	8615-036	Circuit Breaker	X		X		X	
6	8615-040	Circuit Breaker		X	X	X	X	X
7	8615-047	Circuit Breaker Terminal Block			X		X	X
8	8201-058	Time Delay Relay H1-30 C45-70		X	X	X	X	2
8	8201-059	Time Delay Relay H30-75 C1-40	X	X	2	X	2	2
NS	142-069	Fill Plate	X	X			X	
NS	142-097	Fill Plate				X		
NS	4106-100A	Wiring Diagram	X					
NS	4106-110A	Wiring Diagram		X		X		
NS	4106-120A	Wiring Diagram			X		X	
NS	4106-130B	Wiring Diagram						X

NS – Not Shown