

DRAWER ASSEMBLY

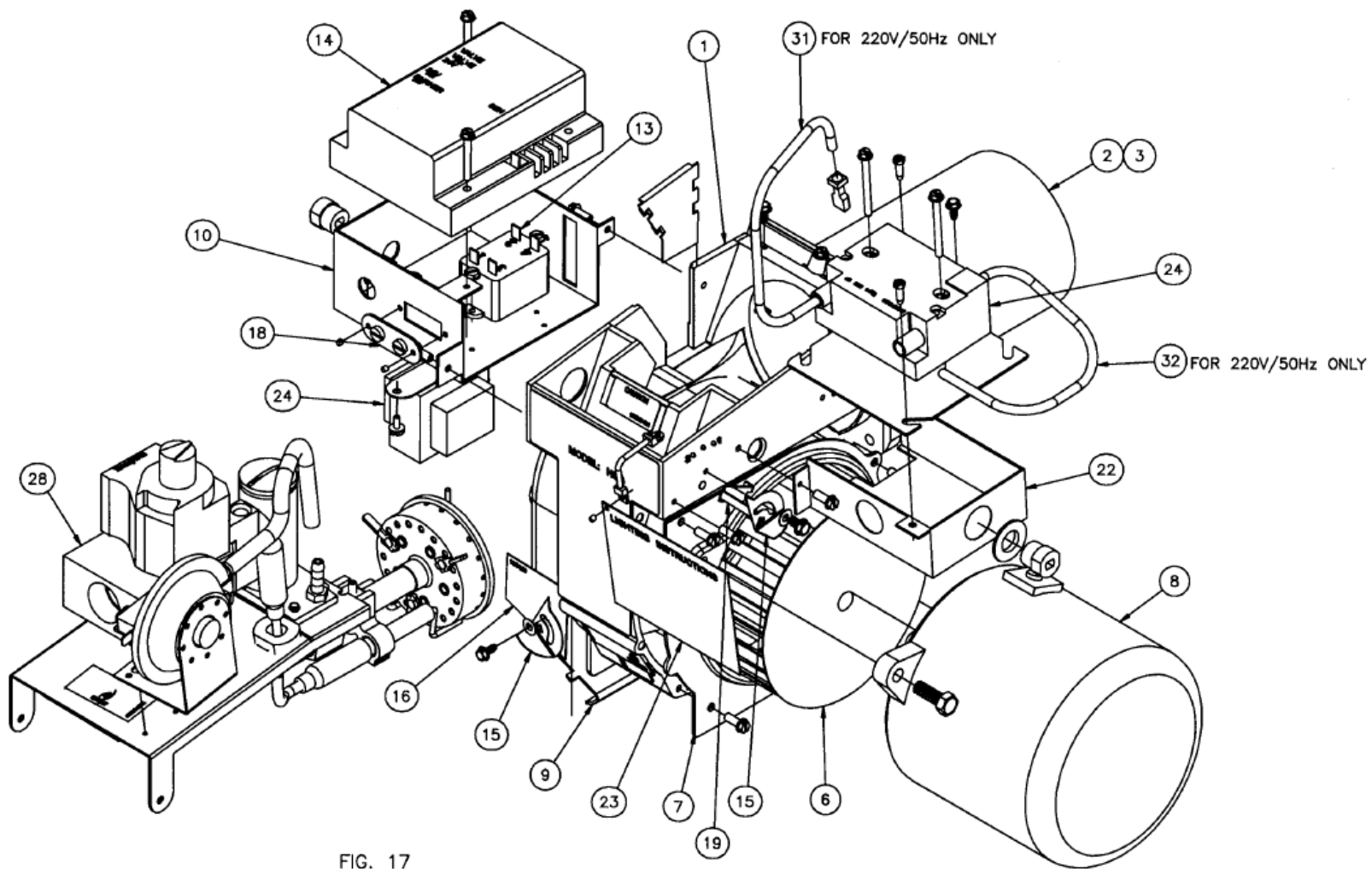


FIG. 17

| Item | Part No. | Description |
|------|------------|---------------------------------------------------------------------------------------------|
| 1. | 100934-001 | Burner Housing |
| 2. | 62576-003 | Air Tube - HSG200 6" (152.4mm) |
| | 63270-004 | Air Tube - HSG400 6 1/4" (158.75 mm) |
| | 62576-015 | Air Tube - HSG200 9" (228.6mm) |
| | 63270-015 | Air Tube - HSG400 9" (228.6mm) |
| | 62576-027 | Air Tube - HSG200 12" (304.8mm) |
| | 63270-027 | Air Tube - HSG400 12" (304.8mm) |
| | 63270-028 | Air Tube - HSG400 15" (381 mm) |
| 3. | 62393-001 | Air Cone - (HSG200 only) |
| 4. | 21724-011 | Adjustable Flange Assembly (includes gasket)(not shown) |
| 5. | 100428-002 | Flange Gasket (not shown) |
| 6. | 21664 | Blower Wheel HSG200 5 1/4" OD (133.35mm) |
| | 21642 | Blower Wheel HSG400 5 1/2" OD (139.7mm) |
| 7. | 21658 | Side Plate (Used with 20627 and 20627-004 Motors Only) |
| 8. | 20627 | Motor, Split Phase 1/7 (.107kW) or 1/8 (.093kW) HP 3450 RPM 115V/60 |
| | 20627-004 | Motor, Split Phase 1/7 (.107kW) HP 2850 RPM 230V/50Hz (220V/50Hz) |
| 9. | 100373-002 | Combustion Air Inlet Damper |
| 10. | 62408-001 | Control Box (S89E & S89F) |
| 11. | 62388-001 | 30 Sec. Prepurge Time |
| | 62530-001 | Resistor Wire Assy. |
| 12. | 60186-004 | 24 Volt Transformer 120V |
| | 63005-002 | 24 Volt Transformer 220V |
| | 100450-001 | Bushing |
| 13. | 62406-002 | Motor Relay |
| 14. | 62759-002 | Primary Safety Control H'Well S89F w/30 Sec Prepurge (220V/50Hz) |
| | 62758-002 | Primary Safety Control H'Well S89E w/o 30 Sec Prepurge (Special Limit Applications Only) |
| 15. | 100377-002 | Damper Indicator Pointer |
| 16. | 100429 | Damper Decal |
| 17. | 63263-005 | Pressure Switch |
| | 63272-005 | Pressure Switch Conversion Kit |
| | 63935-001 | Pressure Switch (220V/50Hz) |
| 18. | 60178-002 | Thermostat Terminal Strip |
| 19. | 100372 | Adjustment Arm Off-Cycle Damper |
| | 20-21. | 100371-KIT Off-Cycle Damper Kit |
| 22. | 21319 | Junction Box (under Ignition Transformer) |
| 23. | 61843 | Lighting Plate |
| 24. | 62407-001 | Ignition Transformer 7500V |
| | 64051-001 | Ignition Transformer 220V/50Hz Danfoss |
| 25. | 62391-002 | Electrode Assembly |
| 26. | 62390-002 | Sensor Probe Assembly |
| 27. | 62387-001 | Insulator Bushing (not shown) |
| 28. | 62575-002 | Chamber/Manifold - HSG200 6" (152.4mm) |
| | 62575-001 | Chamber/Manifold - HSG400 6 1/4" (158.75 mm) |
| | 62575-014 | Chamber/Manifold - HSG200 9" (228.6mm) |
| | 62575-012 | Chamber/Manifold - HSG400 9" (228.6mm) |
| | 62575-026 | Chamber/Manifold - HSG200 12" (304.8mm) |
| | 62575-024 | Chamber/Manifold - HSG400 12" (304.8mm) |
| | 62575-031 | Chamber/Manifold - HSG400 15" (381 mm) |
| 29. | 62419-001 | Clip, Electrode Bracket |
| 30. | 61951-001 | Ignitor Support Parts Kit |
| 31. | 62411-028 | 11" (279.4mm) Sensor Wire - 6" (152.4mm), 6 1/4" (158.75mm) Burner |
| | 62411-030 | 14" (355.6mm), Sensor Wire - 9" (228.6mm), 12" (304.8mm) Burner |
| | 62411-068 | 17" (431.8mm), Sensor Wire - 15" (228.6mm) Burner |
| | 64096-001 | Sense Wire - 330mm Cable (220V/50Hz) |
| 32. | 62909-001 | 8" (203.2mm) Ignition Wire - 6" (152.4mm), 6 1/4" (158.75mm) Burner |
| | 62909-003 | 14" (355.6mm) Ignition Wire - 9" (228.6mm), 12" (304.8mm) Burner, 15" (228.6mm) Burner |
| | 64095-001 | Ignition Wire - 500mm Cable (220V/50Hz) |
| 33. | 62404-002 | Top Plate/Housing Cover |
| 34. | 62304 | Strain Relief Bushing/Ignition Wire |
| 35. | 62402-001 | Orifice Housing |
| 36. | 62410-001 | Orifice Spring |
| 37. | 62401-001 | Orifice Gasket |
| 38. | 62385-001 | Orifice Cap |
| 39. | 62374-004 | Gas Valve Honeywell VR8305M 4801 |
| 40. | 62459-001 | Orifice Package - HSG200 (not shown) |
| | 62459-002 | Orifice Package - HSG400 (not shown) |
| 41. | 21760-001 | Optional Pedestal Mounting (not shown) |

Used with Primary safety Control
P/N 62758-002
(Special limit applications only)