

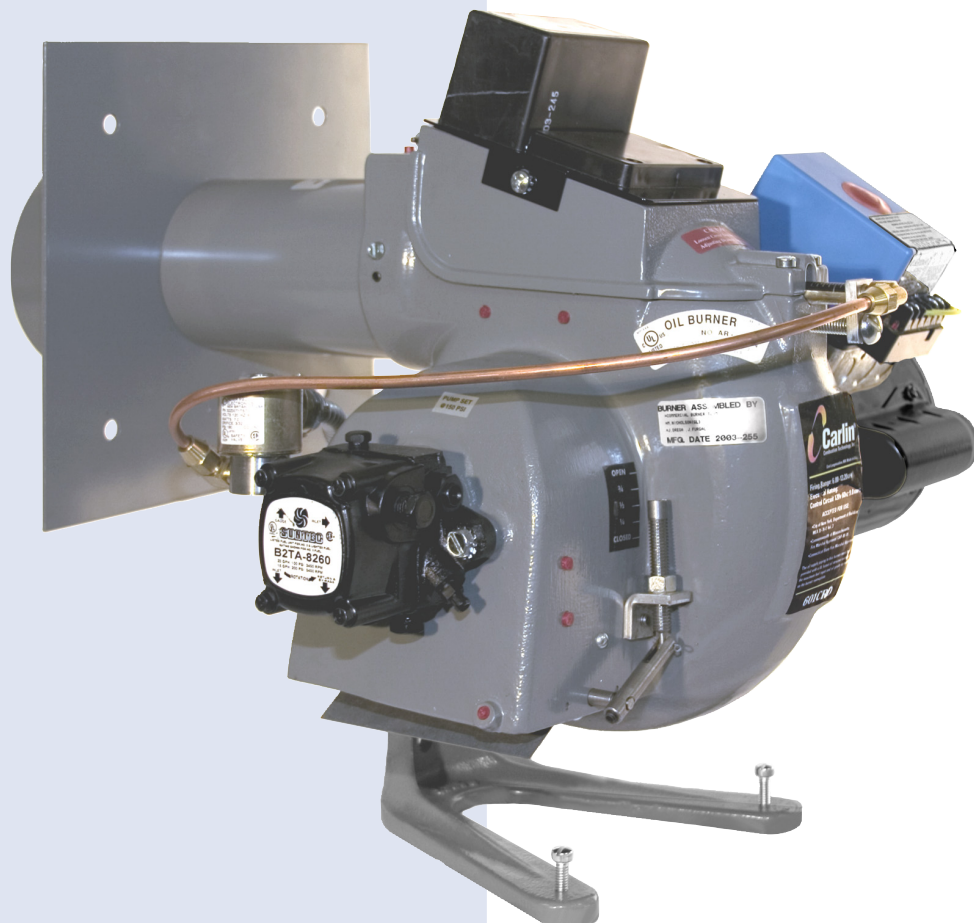
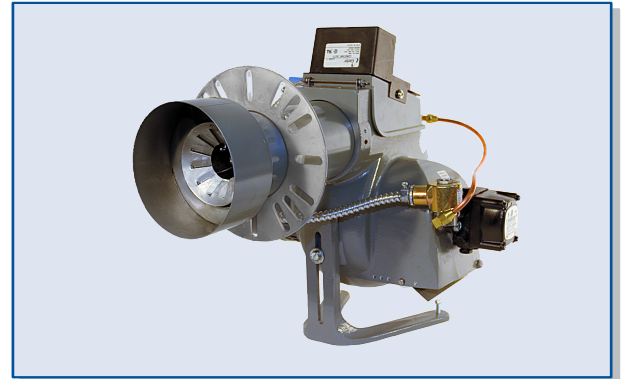


MODEL **601CRD**

Advanced Oil Burner

**6.0 TO 13.2 GPH**

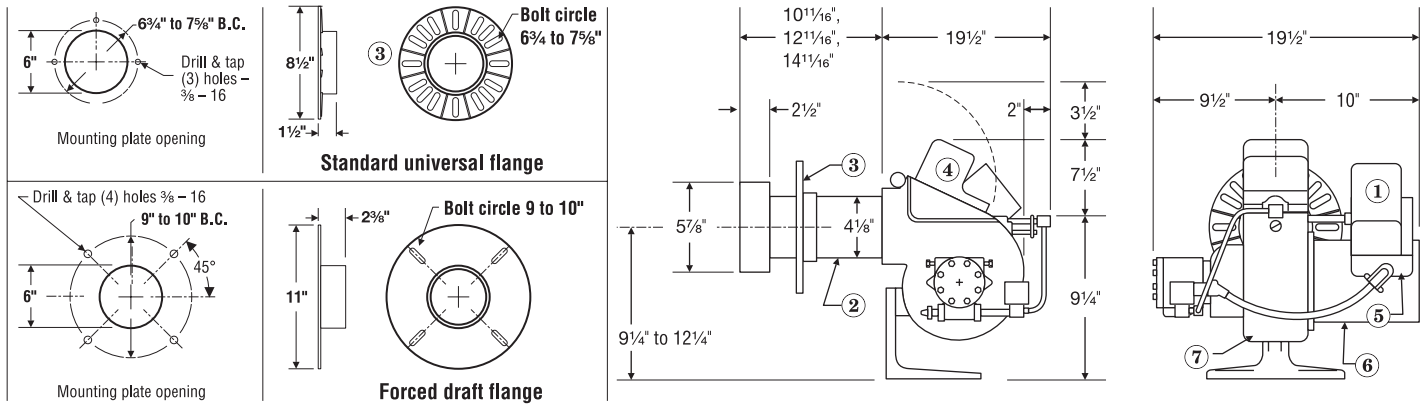
The **IDEAL** burner  
for even the toughest  
applications



**CARLIN. THE TECHNOLOGY LEADER.**



# Carlin 601CRD Advanced Oil Burner



- ① Carlin 60200 microprocessor control (standard)
- ② Air tube
- ③ Universal flange (standard)
- ④ Carlin 41000 solid state ignitor
- ⑤ Junction box
- ⑥ Motor, 48-frame
- ⑦ Cast aluminum blower housing

## Features

The **601CRD** advanced oil burner features Carlin's adjustable combustion head assembly — for unmatched fuel/air mixing, smooth light-offs and quiet running.

Proven for years in the field and in extensive boiler and furnace testing, these burners will meet your needs for commercial oil-burning applications.

### Easy adjustment and service . . . Unmatched performance . . .

- Only adjustments are the air shutter and the combustion head, set with Carlin's easy-access screw adjustment.
- Blower access cover allows full view of blower compartment.
- Burners use the same air handling parts for all firing rates.
- Compact design uses standard components, including Carlin electronic ignition, microprocessor primary control, and instant-open SVC oil valve.
- Jacob's-ladder electrode tips for wide spark pattern and reliable ignition.
- Positive ignition, stable operation, and compact flame.
- Compact flame for maximum versatility.
- Insensitive to draft or moderate back-pressure variations.
- Can operate in forced draft applications (up to 0.30 inches w.c. positive overfire pressure).
- High resistance to pulsation.
- Excellent performance when tested in appliances that do not use refractory combustion chambers.
- Rugged cast aluminum housing.

## Specifications

### Input

..... 6.0 to 13.2 GPH

The maximum firing rates shown are for natural draft at elevations up to 2,000 feet above sea level. Reduce the rate for forced draft firing as given in the burner manual (up to 14% reduction for 0.40 inches w.c. overfire pressure). For altitudes higher than 2,000 feet, reduce capacity 4% per 1,000 feet above sea level.

### Fuels

U. S. .... No. 1 or No. 2 Fuel oil  
Canada ..... No. 1 Stove oil or No. 2 Furnace oil

### Oil nozzle, fuel unit & oil valve

Nozzle ..... 45° "SS" Hago  
Fuel unit ..... 2-STAGE "B" STYLE, 150 PSIG  
Carlin instant open valve .....

### Electrical

Power ..... 120 VAC/60 HZ/1-PHASE  
Limit circuit input (60200 primary) ..... 120 VAC/60 HZ  
Current ..... *Approximately* 11.5 AMPS  
Motor ..... 1/2 HP, 3450 RPM, 115 VAC/60 HZ  
..... (208-230 VAC/60 HZ optional)  
Motor frame ..... 48-frame, "N" flange  
Oil valve power ..... 120 VAC/60 HZ

### Ignition & primary control

Carlin Model 41000 solid state electronic ignitor  
Ignition voltage ..... 14,000 VOLTS  
Primary control ..... Carlin 60200

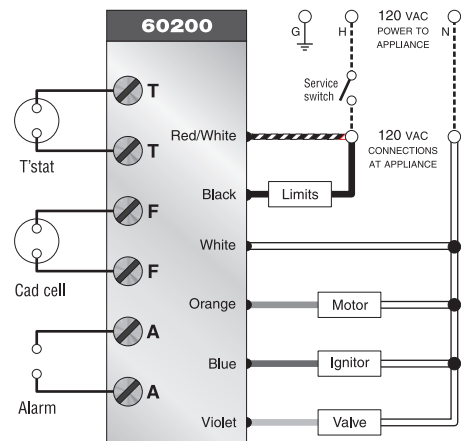
### Agencies

UL Listed ..... (US & Canada)

## Special notes

1. Available options:
  - Motor contactor (required for 208-230 vac motor).
  - Carlin 40200, 50200 or other primary control, plus an electronic 4-second time delay relay, can be supplied in place of the standard 60200 microprocessor primary control.
  - Forced draft, adjustable flange or welded flange.
  - NEMA 1 control panel and/or special control systems (consult factory for options).
  - 2-stage "H"-style fuel unit.
2. Local approvals: City of New York MEA No. 35-76-E; State of Massachusetts Approval No. CAR-88-07.

## Wiring (typical, using 60200 primary)



**Warning** — For use only by a qualified service technician.

1. Always disconnect power source before wiring to avoid electrical shock or damage to the control. All wiring must comply with applicable codes and ordinances.
2. Thermostat terminals (T-T) provide a current source. Never apply external power to these terminals under any circumstances.
3. Alarm terminals provide a 24 vac-rated dry contact, suitable for use with security/fire alarm systems such as Carlin SecureHeat™.

**TECH SUPPORT HOTLINE 800-989-2275**



## Carlin Combustion Technology, Inc.

70 Maple Street East Longmeadow, MA 01028 Phone 413-525-7700 Fax 413-525-8306  
e-mail us at: [info@carlincombustion.com](mailto:info@carlincombustion.com) visit our website: [www.carlincombustion.com](http://www.carlincombustion.com)